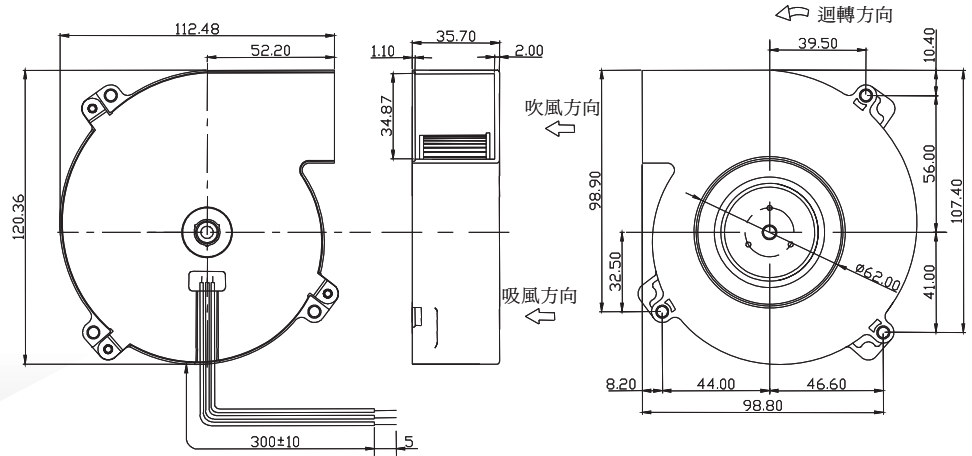




AB12035 SERIES

External Dimensions



Frame:Plastic(UL:94V-0)
 Impeller:Plastic(UL:94V-0)
 Bearing:FDB
 Lead wire:UL1007AWG24
 VOLTAGE AVAILABLE:12V

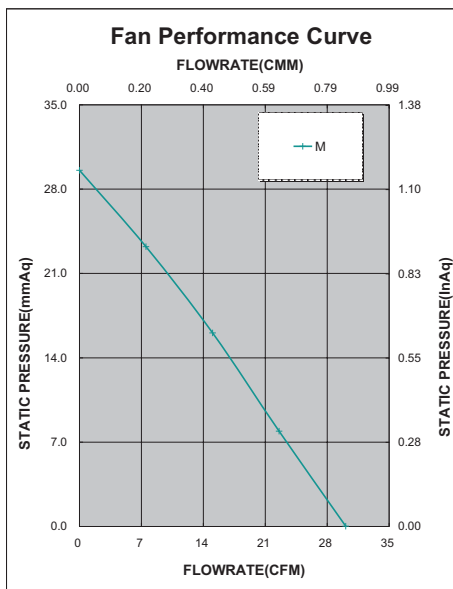
Specifications(Nominal)

*Noise is measured at the distance of one (1) meter from the axis of intake.

Bearing type: ⊙=Ball ※=Sleeve ○=1B1S ●=Hypro bearing

| Frame size (mm) | Model No. | Bearing System Type | Rated Voltage (VDC) | Rated Current (A) | Actual Current (A) | Rated Power (W) | Actual Power (W) | Rated Speed (rpm) | Maximum AirFlow (CMM) | Maximum AirFlow (CFM) | Maximum Pressure (InAq) | Maximum Pressure (mmAq) | *Noise Level (dB/A) | Weight (g) |
|-----------------|--------------------|---------------------|---------------------|-------------------|--------------------|-----------------|------------------|-------------------|-----------------------|-----------------------|-------------------------|-------------------------|---------------------|------------|
| 120x120x35 | AB1210MF-X02(F24A) | FDB | 12 | 0.97 | 0.90 | 11.60 | 10.80 | 2600 | 0.843 | 29.79 | 1.170 | 29.72 | 47.5 | 270.0 |

Specifications subject to change without notice.



*Motor protective circuit and third lead wire functions

| 0 | 1 | 2 | 3 | 4 | 6 | 7 | 8 | 9 | A | B |
|---|---|---|---|---|---|---|---|---|---|---|
| | | ✓ | | | | | | | | |

*Safety approvals

| | | | | |
|--|--|--|--|---|
| | | | | |
| | | | | ✓ |