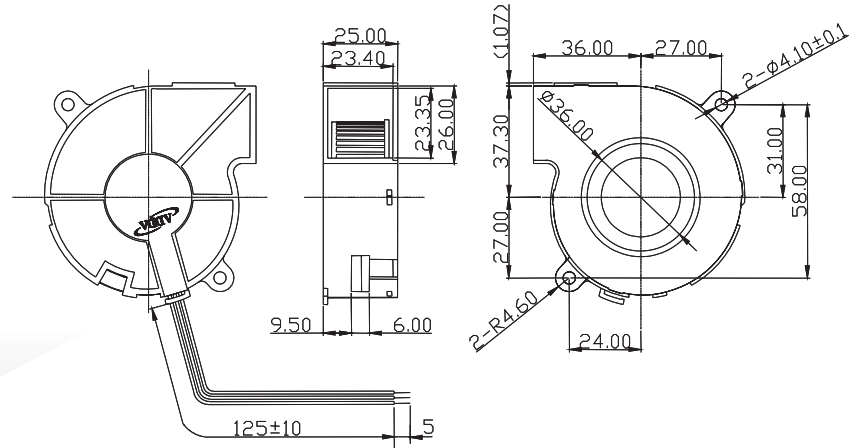




AB7025 SERIES

External Dimensions



Frame:Plastic(UL:94V-0)
 Impeller:Plastic(UL:94V-0)
 Bearing:Ball bearing
 Lead wire:UL1007AWG24
 VOLTAGE AVAILABLE:12V

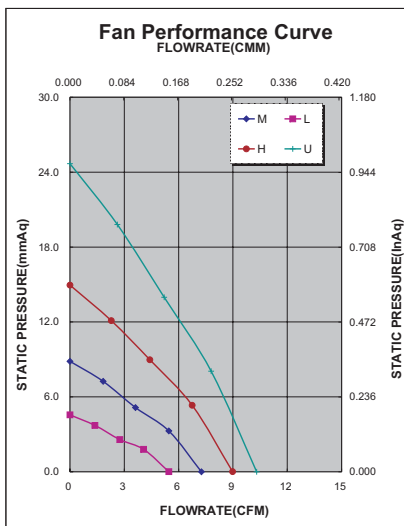
Specifications(Nominal)

*:Noise is measured at the distance of one (1) meter from the axis of intake.

Bearing type: ◎=Ball※=Sleeve○=1B1S●=Hypro bearing

Frame size (mm)	Model No.	Bearing System Type	Rated Voltage (VDC)	Rated Current (A)	Actual Current (A)	Rated Power (W)	Actual Power (W)	Rated Speed (rpm)	Maximum AirFlow (CMM)	Maximum AirFlow (CFM)	Maximum Pressure (InAq)	Maximum Pressure (mmAq)	*Noise Level (dB/A)	Weight (g)
70x70x25	AB07012LB250300	◎	12	0.09	0.06	1.08	0.72	2000	0.153	5.40	0.175	4.45	22.0	47.0
	AB07012MB250300	◎	12	0.15	0.09	1.80	1.08	2600	0.204	7.20	0.345	8.76	26.5	
	AB07012HB250300	◎	12	0.25	0.18	3.00	2.16	3200	0.252	8.90	0.585	14.86	33.5	
	AB07012UB250300	◎	12	0.35	0.28	4.20	3.36	3800	0.297	10.50	0.950	24.13	39.0	

Specifications subject to change without notice.



*Motor protective circuit and third lead wire functions

0	1	2	3	4	6	7	8	9	A	B
	✓	✓	✓							

*Safety approvals

UL	cUL	SA	SAFETY SUPPLY TYPE APPROVED	CE
✓	✓		✓	✓