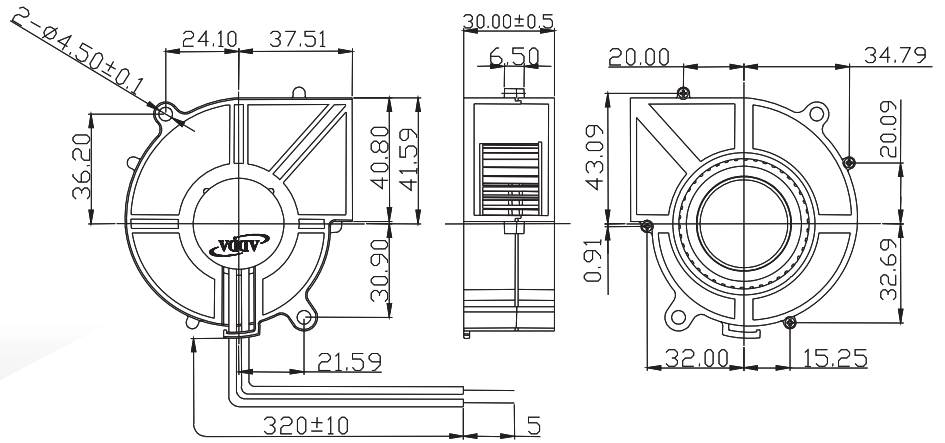




AB7530 SERIES

External Dimensions



Frame:Plastic(UL:94V-0)
 Impeller:Plastic(UL:94V-0)
 Bearing:Ball bearing
 Lead wire:UL1007AWG24
 VOLTAGE AVAILABLE:12V

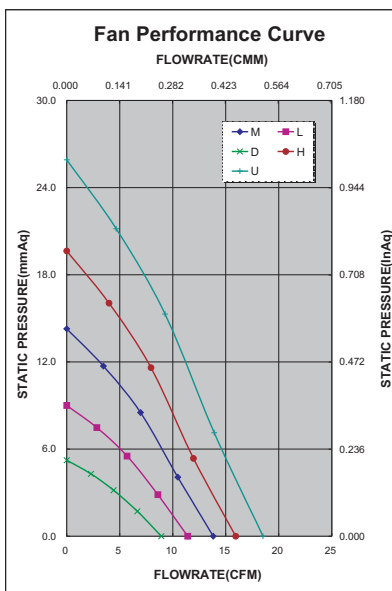
Specifications(Nominal)

*Noise is measured at the distance of one (1) meter from the axis of intake.

Bearing type: ◎=Ball ※=Sleeve ○=1B1S ●=Hypro bearing

Frame size (mm)	Model No.	Bearing System Type	Rated Voltage (VDC)	Rated Current (A)	Actual Current (A)	Rated Power (W)	Actual Power (W)	Rated Speed (rpm)	Maximum AirFlow (CMM)	Maximum AirFlow (CFM)	Maximum Pressure (InAq)	Maximum Pressure (mmAq)	*Noise Level (dB/A)	Weight (g)
75x75x30	AB7512DB-W01	◎	12	0.15	0.10	1.80	1.16	2200	0.252	8.90	0.200	5.08	28.7	
	AB7512LB-W01	◎	12	0.26	0.18	3.12	2.16	2800	0.323	11.40	0.350	8.89	37.6	
	AB7512MB-W01	◎	12	0.36	0.25	4.32	3.00	3400	0.391	13.80	0.560	14.22	41.7	80.0
	AB7512HB-W01	◎	12	0.48	0.32	5.76	3.84	3900	0.450	15.90	0.770	19.56	45.4	
	AB7512UB-W01	◎	12	0.60	0.48	7.20	5.76	4500	0.524	18.50	1.020	25.91	49.1	

Specifications subject to change without notice.



*Motor protective circuit and third lead wire functions

0	1	2	3	4	6	7	8	9	A	B
	✓	✓	✓							✓

*Safety approvals

✓		✓	✓	✓