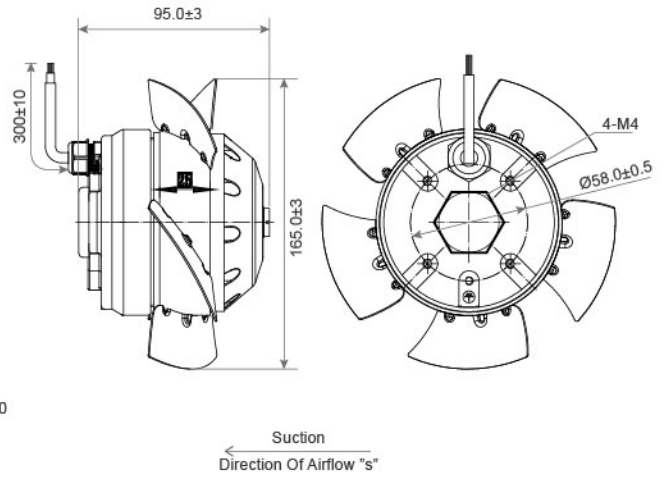
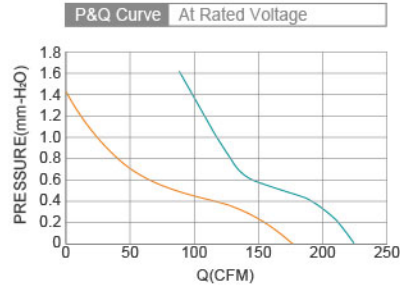




- Material : Cold rolled steel
材質：冷軋鋼板
- Bearing System : Two Ball Bearing
軸承結構：滾珠軸承
- Protection Class : IP44
防護等級：IP44



Model No.	Voltage (VAC)	Frequency (Hz)	Current (A)	Power (W)	Speed (RPM)	Capacitor (µF)	Air Flow (CFM)	Air Flow (m ³ /h)	Temperature Min / Max(°C)	Noise (dBA)
SZNA2D165S-5AN-A3	380 - 440	50	0.20	55	2950	-	176.4	300	-30°C ~ +60°C	61.0
	380 - 480	60	0.17	65	3450	-	223.4	380	-30°C ~ +60°C	66.0