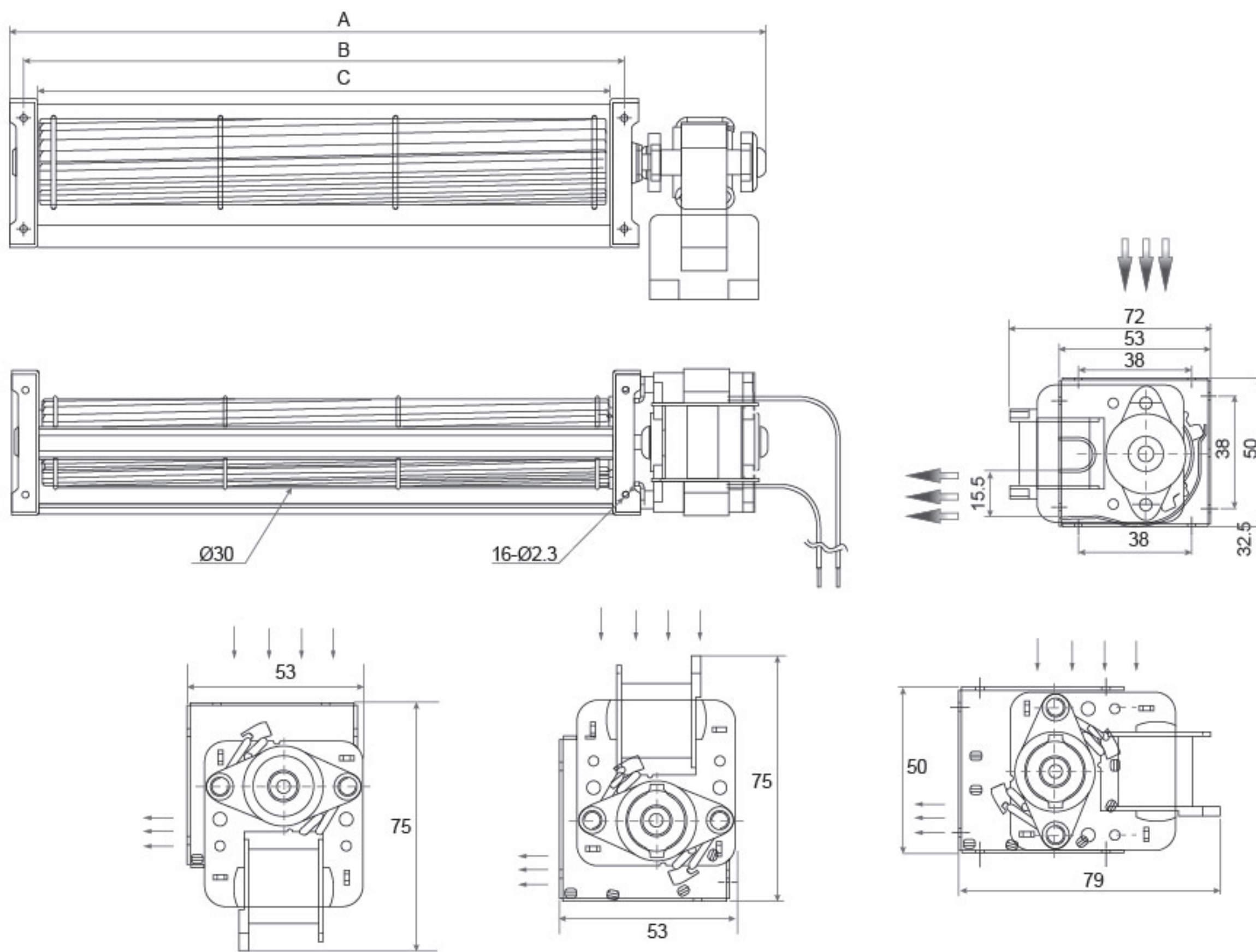


# AC Cross Flow Fan SCPA30 SERIES

- Frame Material 外框材質 : Galvanised Sheet Steel 鍍鋅板材
- Blade Material 風輪材質 : Aluminum 鋁材

DIMENSIONS DRAWING UNIT : mm



Model No.	Total Length(A)	Installation Hole Distance(B)	Outlet Length (C)	Rated Voltage (VAC)	Frequency Hz	Current (Amp)	Power (Watt)	Wind Speed (M/S)	Speed (RPM)	Pressure (Pa)	Air Flow (m³/h)
SCPA30200-AC220	268	208	198	220	50	3.0	12.0	3.0	2600	7.5	30
SCPA30250-AC220	312	258	248	220	50	3.0	13.0	3.0	2600	7.5	32
SCPA30300-AC220	362	310	300	220	50	3.1	12.0	3.1	2500	7.3	34
SCPA30350-AC220	413	362	352	220	50	2.7	11.2	2.7	2600	7.5	36
SCPA30200-AC220	492	430	420	220	50	3.0	11.5	3.0	2500	7.2	36

★如果您需要的轉速或電壓或功能不在這份清單上，請與我們業務聯繫 If you need another RPM or voltage or functions which one is not in the list, please contact us.  
 ★產品詳細數據及功能請參閱承認書 Please see the approval sheet for more information .  
 ★產品規格變更不另行通知 Specifications are subject to change without notice.