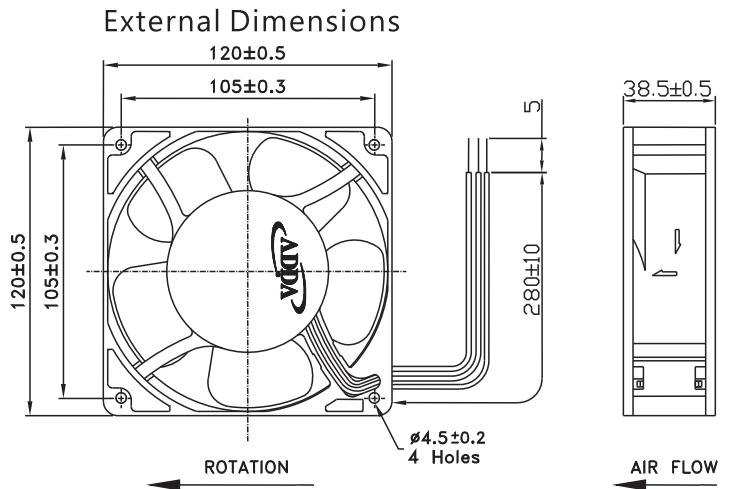




AD12038 SERIES



Frame: Plastic(UL:94V-0), Aluminum
 Impeller: Plastic(UL:94V-0)
 Lead wire: UL1007AWG24

Ps. Two different frame materials (Plastic and Aluminum) can be used for AD12038, please note which kind of material you're interested and inform your sales if needed.

Specifications(Nominal)

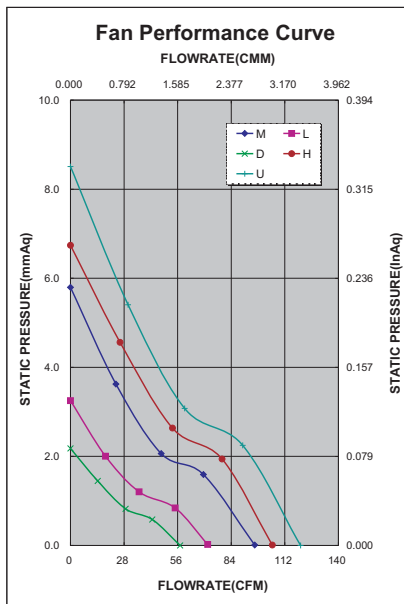
*:Noise is measured at the distance of one (1) meter from the axis of intake.

Bearing type: ⊙=Ball ※=Sleeve ○=1B1S ●=Hypro bearing

Frame size (mm)	Model No.	Bearing System Type	Rated Voltage (VDC)	Current (A)	Power (W)	Rated Speed (rpm)	Maximum AirFlow (CMM)	Maximum AirFlow (CFM)	Maximum Pressure (InAq)	Maximum Pressure (mmAq)	*Noise Level (dB/A)	Weight (g)
120x120x38	AD1212DB-F51	⊙ ※ ●	12	0.12	1.44	1500	1.621	57.292	0.085	2.159	28.4	235.0 /Plastic 297.0 /Aluminum
	AD1212LB-F51	⊙ ※ ●	12	0.22	2.64	1950	2.027	71.635	0.128	3.251	36.2	
	AD1212MB-F51	⊙ ※ ●	12	0.34	4.08	2540	2.725	96.300	0.228	5.791	45.0	
	AD1212HB-F51	⊙ ※ ●	12	0.39	4.68	2800	2.984	105.461	0.265	6.731	46.7	
	AD1212UB-F51	⊙ ※ ●	12	0.62	7.44	3200	3.399	120.109	0.335	8.509	48.0	
	AD1224DB-F51	⊙ ※ ●	24	0.07	1.68	1500	1.621	57.292	0.085	2.159	28.4	
	AD1224LB-F51	⊙ ※ ●	24	0.10	2.40	1950	2.027	71.635	0.128	3.251	36.2	
	AD1224MB-F51	⊙ ※ ●	24	0.20	4.80	2540	2.725	96.300	0.228	5.791	45.0	
	AD1224HB-F51	⊙ ※ ●	24	0.26	6.24	2800	2.984	105.461	0.265	6.731	46.7	
	AD1224UB-F51	⊙ ※ ●	24	0.38	9.12	3200	3.399	120.109	0.335	8.509	48.0	
	AD1248LB-F51	⊙ ※ ●	48	0.09	4.32	1950	2.027	71.635	0.128	3.251	36.2	
	AD1248MB-F51	⊙ ※ ●	48	0.13	6.24	2540	2.725	96.300	0.228	5.791	45.0	
	AD1248HB-F51	⊙ ※ ●	48	0.18	8.64	2800	2.984	105.461	0.265	6.731	46.7	
	AD1248UB-F51	⊙ ※ ●	48	0.22	10.56	3200	3.399	120.109	0.335	8.509	48.0	

Specifications subject to change without notice.

The specification for bearing type is for reference only, for more bearing types information, please contact with your ADDA sales representative, thanks!! (網頁上呈現產品軸承資訊均以2Ball為主, 若需其他產品資訊請聯絡您在ADDA的業務代表, 謝謝!!)



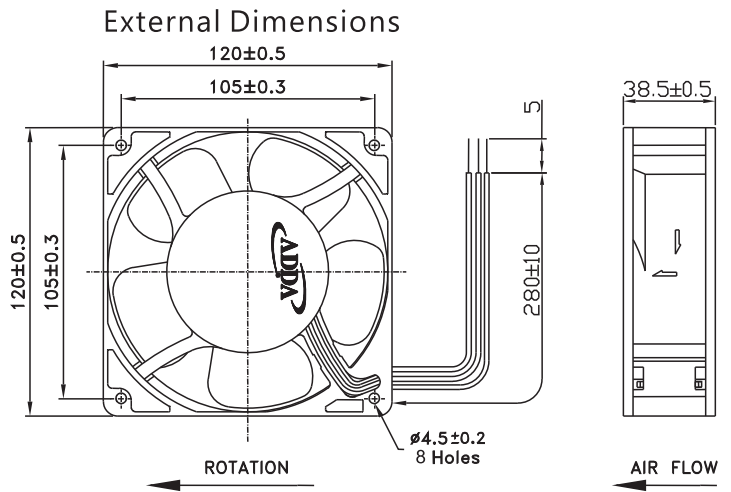
*Motor protective circuit and third lead wire functions

0	1	2	3	4	6	7	8	9	A	B
✓	✓	✓	✓	✓	✓					

*Safety approvals

✓	✓		✓	✓

AD12038 ES SERIES



Frame: Plastic(UL:94V-0), Aluminum
 Impeller: Plastic(UL:94V-0)
 Lead wire: UL1007AWG24

Ps. Two different frame materials (Plastic and Aluminum) can be used for AD12038, please note which kind of material you're interested and inform your sales if needed.

Specifications(Nominal)

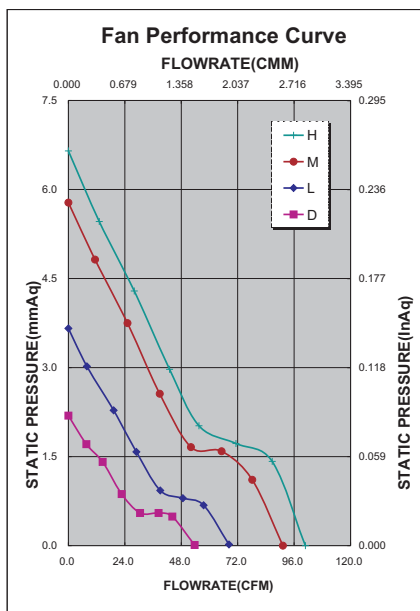
*:Noise is measured at the distance of one (1) meter from the axis of intake.

Bearing type: ○=Ball ※=Sleeve ◯=1B1S ●=Hypro bearing

Frame size (mm)	Model No.	Bearing System Type	Rated Voltage (VDC)	Current (A)	Power (W)	Rated Speed (rpm)	Maximum AirFlow (CMM)	Maximum AirFlow (CFM)	Maximum Pressure (InAq)	Maximum Pressure (mmAq)	*Noise Level (dB/A)	Weight (g)
120x120x38	AD12012DB385000(0F)	◎	12	0.08	0.96	1500	1.519	53.681	0.086	2.184	28.0	235.0/Plastic
	AD12012LB385000(0F)	◎	12	0.15	1.80	1950	1.932	68.276	0.144	3.657	36.7	
	AD12012MB385000(0F)	◎	12	0.33	3.96	2540	2.581	91.233	0.227	5.765	44.4	
	AD12012HB385000(0F)	◎	12	0.48	5.76	2800	2.852	100.798	0.262	6.654	46.5	

Specifications subject to change without notice.

The specification for bearing type is for reference only, for more bearing types information, please contact with your ADDA sales representative, thanks!!
 (網頁上呈現產品軸承資訊均以2Ball為主, 若需其他產品資訊請聯絡您在ADDA的業務代表, 謝謝!!)



*Motor protective circuit and third lead wire functions

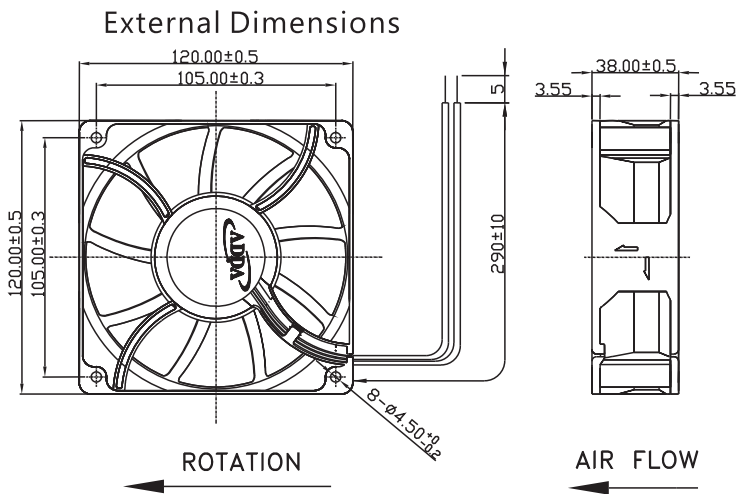
0	1	2	3	4	6	7	8	9	A	B
✓					✓					

*Safety approvals

				✓



AD12038GP SERIES



Frame: Plastic(UL:94V-0), Aluminum
 Impeller: Plastic(UL:94V-0)
 Lead wire: UL1007AWG24

Ps. Two different frame materials (Plastic and Aluminum) can be used for AD12038GP, please note which kind of material you're interested and inform your sales if needed.

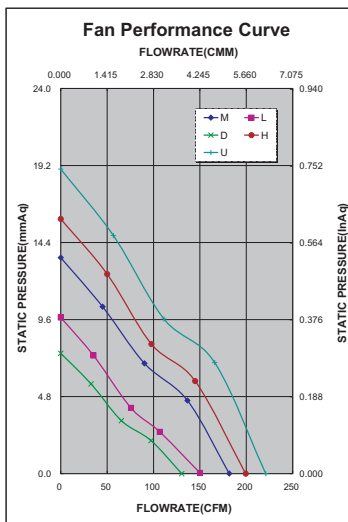
Specifications(Nominal)

*Noise is measured at the distance of one (1) meter from the axis of intake.

Bearing type: ○=Ball ※=Sleeve ◯=1B1S ●=Hypro bearing

Frame size (mm)	Model No.	Bearing System Type	Rated Voltage (VDC)	Current (A)	Power (W)	Rated Speed (rpm)	Maximum AirFlow (CMM)	Maximum AirFlow (CFM)	Maximum Pressure (InAq)	Maximum Pressure (mmAq)	*Noise Level (dB/A)	Weight (g)
120x120x38	AD1212DB-F91GP(F)	○	12	0.49	5.88	2800	3.694	130.544	0.295	7.493	48.5	335.0 /Plastic 390.0 /Aluminum
	AD1212LB-F91GP(FCU)	○	12	0.70	8.40	3200	4.248	150.120	0.383	9.728	52.5	
	AD1212MB-F91GP(FCU)	○	12	0.96	11.52	3800	5.139	181.601	0.530	13.462	57.5	
	AD1212HB-F91GP(FCU)	○	12	1.62	19.44	4300	5.652	199.730	0.625	15.875	61.0	
	AD1224DB-F91GP(F)	○	24	0.23	5.52	2800	3.694	130.544	0.295	7.493	48.5	
	AD1224LB-F91GP(FCU)	○	24	0.36	8.64	3200	4.248	150.120	0.383	9.728	52.5	
	AD1224MB-F91GP(FCU)	○	24	0.58	13.92	3800	5.139	181.601	0.530	13.462	57.5	
	AD1224HB-F91GP(FCU)	○	24	0.80	19.20	4300	5.652	199.730	0.625	15.875	61.0	
	AD1224UB-F91GP(FCU)	○	24	1.15	27.60	4700	6.265	221.402	0.747	18.973	63.0	
	AD1248DB-F91GP(F)	○	48	0.16	7.68	2800	3.694	130.544	0.295	7.493	48.5	
	AD1248LB-F91GP(FCU)	○	48	0.18	8.64	3200	4.248	150.120	0.383	9.728	52.5	
	AD1248MB-F91GP(FCU)	○	48	0.28	13.44	3800	5.139	181.601	0.530	13.462	57.5	
	AD1248HB-F91GP(FCU)	○	48	0.44	21.12	4300	5.652	199.730	0.625	15.875	61.0	
	AD1248UB-F91GP(FCU)	○	48	0.58	27.84	4700	6.265	221.402	0.747	18.973	63.0	

Specifications subject to change without notice.



*Motor protective circuit and third lead wire functions

0	1	2	3	4	6	7	8	9	A	B
	✓	✓	✓					✓		✓

*Safety approvals

✓	✓		✓	✓