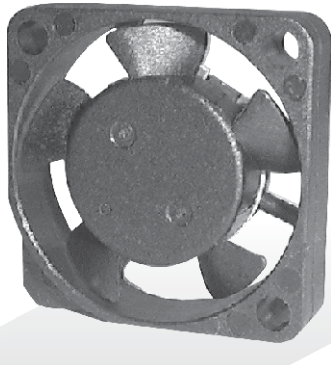
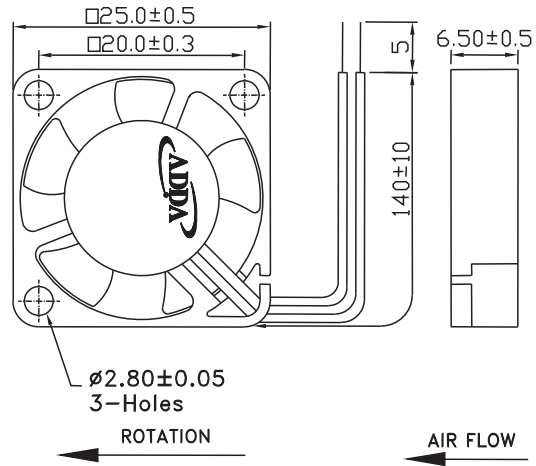




AD2506 SERIES



External Dimensions



Frame: Plastic(UL:94V-0)
 Impeller: Plastic(UL:94V-0)
 Lead wire: UL1571AWG28

Specifications(Nominal)

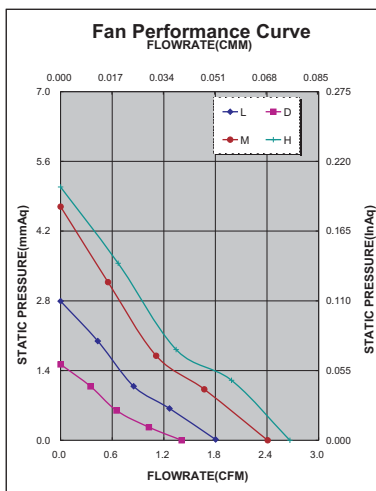
*Noise is measured at the distance of one (1) meter from the axis of intake.

Bearing type: ○=Ball ※=Sleeve ◯=1B1S ●=Hypro bearing

Frame size (mm)	Model No.	Bearing System Type	Rated Voltage (VDC)	Current (A)	Power (W)	Rated Speed (rpm)	Maximum AirFlow (CMM)	Maximum AirFlow (CFM)	Maximum Pressure (InAq)	Maximum Pressure (mmAq)	*Noise Level (dB/A)	Weight (g)
25x25x06	AD0205DX-K50(X)	○ ●	5	0.051	0.255	7000	0.039	1.400	0.060	1.524	14.0	5.0
	AD0205LX-K50(X)	○ ●	5	0.086	0.430	9000	0.050	1.800	0.110	2.794	21.5	
	AD0205MX-K50(X)	○ ●	5	0.113	0.565	12000	0.067	2.400	0.185	4.699	29.0	
	AD0205HX-K50(X)	○ ●	5	0.148	0.740	14000	0.073	2.600	0.200	5.080	35.0	
	AD0212LX-K50(X)	○ ●	12	0.046	0.552	9000	0.050	1.800	0.110	2.794	21.5	
	AD0212MX-K50(X)	○ ●	12	0.053	0.636	12000	0.067	2.400	0.185	4.699	29.0	

Specifications subject to change without notice.

The specification for bearing type is for reference only, for more bearing types information, please contact with your ADDA sales representative, thanks!! (網頁上呈現產品軸承資訊均以參考為主, 若需其他產品資訊請聯絡您在ADDA的業務代表, 謝謝!!)



*Motor protective circuit and third lead wire functions

0	1	2	3	4	6	7	8	9	A	B
✓	✓		✓							

*Safety approvals

✓	✓			✓