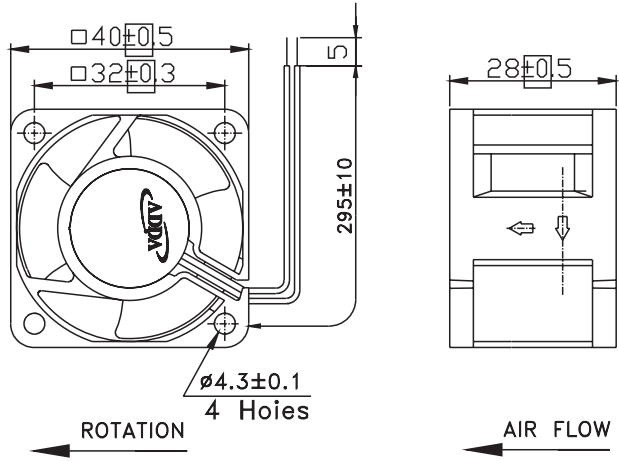




AD4028 SERIES

External Dimensions



Frame:Plastic(UL:94V-0)
 Impeller:Plastic(UL:94V-0)
 Bearing:Ball bearing
 Lead wire:UL1007AWG26
 VOLTAGE AVAILABLE:12V,24V

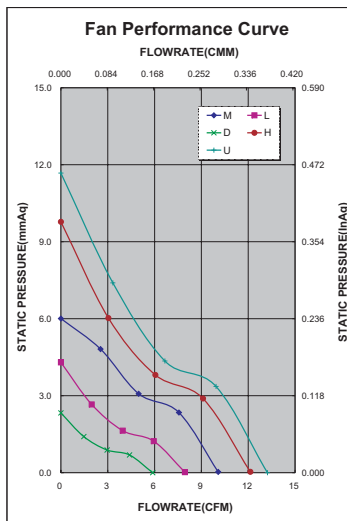
Specifications(Nominal)

*Noise is measured at the distance of one (1) meter from the axis of intake.

Bearing type: ⊙=Ball ⊛=Sleeve ○=1B1S ●=Hypro bearing

Frame size (mm)	Model No.	Bearing System Type	Rated Voltage (VDC)	Rated Current (A)	Actual Current (A)	Rated Power (W)	Actual Power (W)	Rated Speed (rpm)	Maximum AirFlow (CMM)	Maximum AirFlow (CFM)	Maximum Pressure (InAq)	Maximum Pressure (mmAq)	*Noise Level (dB/A)	Weight (g)
40x40x28	AD0412DB-B31	⊙	12	0.07	0.05	0.84	0.60	4500	0.166	5.90	0.092	2.34	19.2	38.0
	AD0412LB-B31	⊙	12	0.14	0.08	1.68	0.93	6000	0.212	7.50	0.145	3.68	32.0	
	AD0412MB-B31	⊙	12	0.18	0.10	2.16	1.20	7500	0.345	9.60	0.220	5.81	36.5	
	AD0412HB-B31	⊙	12	0.22	0.16	2.64	1.92	9000	0.342	12.20	0.345	9.77	38.8	
	AD0412UB-B31	⊙	12	0.23	0.20	2.76	2.40	10000	0.380	13.50	0.470	11.99	42.5	
	AD0424HB-B31	⊙	24	0.12	0.07	2.88	1.68	9000	0.304	10.80	0.274	9.77	36.5	

Specifications subject to change without notice.



*Motor protective circuit and third lead wire functions

0	1	2	3	4	6	7	8	9	A	B
	✓	✓	✓							

*Safety approvals

✓	✓		✓	✓