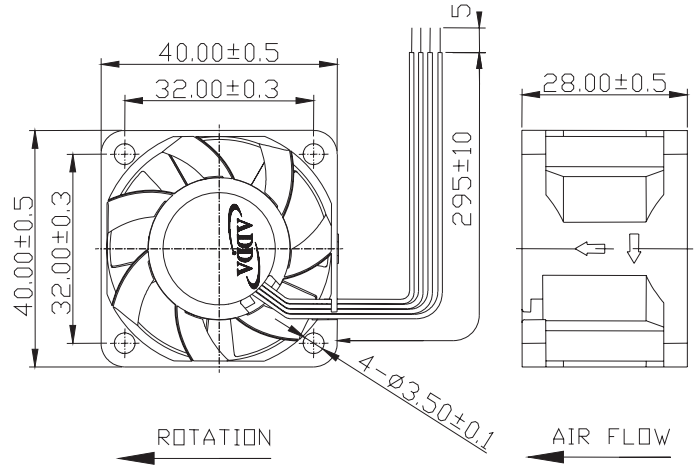




# AD4028DS SERIES



## External Dimensions



Frame:Plastic(UL:94V-0)  
 Impeller:Plastic(UL:94V-0)  
 Bearing:Ball bearing  
 Lead wire:UL1061AWG26  
 VOLTAGE AVAILABLE:12V

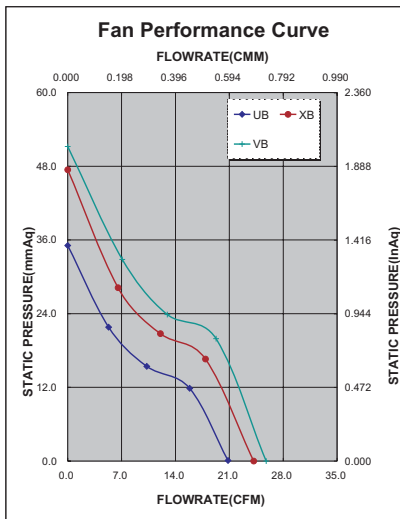
## Specifications(Nominal)

\*:Noise is measured at the distance of one (1) meter from the axis of intake.

Bearing type: ⊙=Ball ⊛=Sleeve ○=1B1S ●=Hypro bearing

Frame size (mm)	Model No.	Bearing System Type	Rated Voltage (VDC)	Rated Current (A)	Rated Power (W)	Rated Speed (rpm)	Maximum AirFlow (CMM)	Maximum AirFlow (CFM)	Maximum Pressure (InAq)	Maximum Pressure (mmAq)	*Noise Level (dB/A)	Weight (g)
40x40x28	AD0412UB-B5BDS(P)	⊙	12	0.70	8.40	13000	0.594	21.00	1.400	35.56	54.0	42
	AD0412XB-B5BDS(P)	⊙	12	0.80	9.60	15000	0.679	24.00	1.870	47.50	57.0	
	AD0412VB-B5BDS(P)	⊙	12	0.80	9.60	16000	0.727	25.70	2.000	50.80	59.0	

Specifications subject to change without notice.



\*Motor protective circuit and third lead wire functions

0	1	2	3	4	6	7	8	9	A	B
	✓	✓	✓					✓		✓

\*Safety approvals

✓	✓		✓	✓