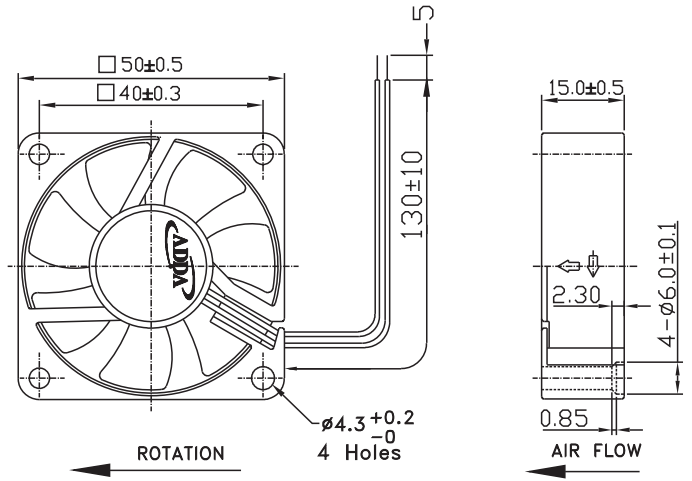


External Dimensions



Frame:Plastic(UL:94V-0)
 Impeller:Plastic(UL:94V-0)
 Lead wire:UL1007AWG26

Specifications(Nominal)

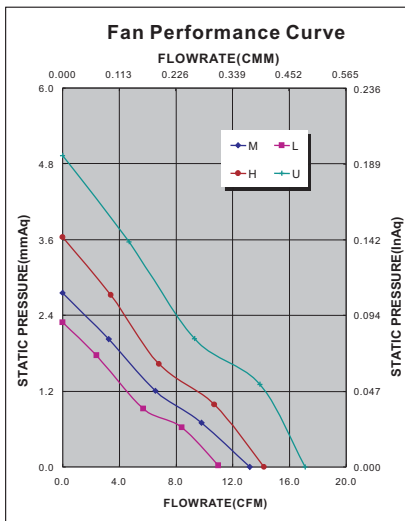
*Noise is measured at the distance of one (1) meter from the axis of intake.

Bearing type: ◎=Ball ※=Sleeve ○=1B1S ●=Hypro bearing

| Frame size (mm) | Model No. | Bearing System Type | Rated Voltage (VDC) | Current (A) | Power (W) | Rated Speed (rpm) | Maximum AirFlow (CMM) | Maximum AirFlow (CFM) | Maximum Pressure (InAq) | Maximum Pressure (mmAq) | *Noise Level (dB/A) | Weight (g) |
|-----------------|--------------|---------------------|---------------------|-------------|-----------|-------------------|-----------------------|-----------------------|-------------------------|-------------------------|---------------------|------------|
| 50x50x15 | AD5005HB-D70 | ◎ ※ ● | 5 | 0.21 | 1.05 | 4800 | 0.404 | 14.30 | 0.129 | 3.277 | 34.0 | |
| | AD5012LB-D70 | ◎ ※ ● | 12 | 0.07 | 0.84 | 3600 | 0.312 | 11.00 | 0.070 | 1.778 | 25.0 | |
| | AD5012MB-D70 | ◎ ※ ● | 12 | 0.08 | 0.96 | 4300 | 0.367 | 13.00 | 0.100 | 2.540 | 30.0 | 27.0 |
| | AD5012HB-D70 | ◎ ※ ● | 12 | 0.11 | 1.32 | 4800 | 0.404 | 14.30 | 0.129 | 3.277 | 34.0 | |
| | AD5012UB-D70 | ◎ ※ ● | 12 | 0.14 | 1.68 | 5500 | 0.467 | 16.50 | 0.180 | 4.572 | 37.5 | |

Specifications subject to change without notice.

The specification for bearing type is for reference only , for more bearing types information, please contact with your ADDA sales representative, thanks!!
 (網頁上呈現產品軸承資訊均以2Ball為主, 若需其他產品資訊請聯絡您在ADDA的業務代表, 謝謝!!)



*Motor protective circuit and third lead wire functions(5V/24V)

| | | | | | | | | | | |
|---|---|---|---|---|---|---|---|---|---|---|
| 0 | 1 | 2 | 3 | 4 | 6 | 7 | 8 | 9 | A | B |
| ✓ | ✓ | ✓ | ✓ | | ✓ | | | | | |

*Motor protective circuit and third lead wire functions(12V)

| | | | | | | | | | | |
|---|---|---|---|---|---|---|---|---|---|---|
| 0 | 1 | 2 | 3 | 4 | 6 | 7 | 8 | 9 | A | B |
| ✓ | ✓ | ✓ | ✓ | | ✓ | | | | | ✓ |

*Safety approvals

| | | | | |
|---|---|--|---|---|
| | | | | |
| ✓ | ✓ | | ✓ | ✓ |