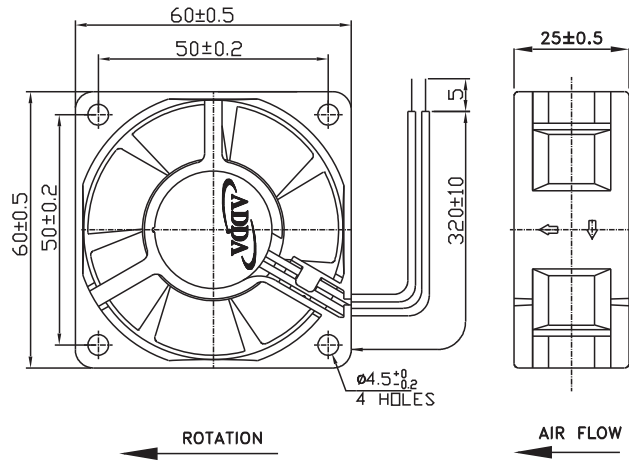




AD6025(T) SERIES



External Dimensions



Frame:Plastic(UL:94V-0)
 Impeller:Plastic(UL:94V-0)
 Lead wire:UL1007AWG24

Specifications(Nominal)

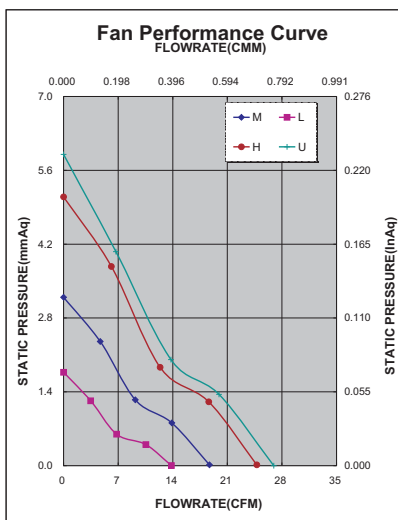
*:Noise is measured at the distance of one (1) meter from the axis of intake.

Bearing type: ⊙=Ball ※=Sleeve ○=1B1S ●=Hypro bearing

Frame size (mm)	Model No.	Bearing System Type	Rated Voltage (VDC)	Current (A)	Power (W)	Rated Speed (rpm)	Maximum AirFlow (CMM)	Maximum AirFlow (CFM)	Maximum Pressure (InAq)	Maximum Pressure (mmAq)	*Noise Level (dB/A)	Weight (g)
60x60x25	AD0605LB-A70GL(T)	⊙ ※ ○ ●	5	0.10	0.50	2500	0.373	13.200	0.063	1.600	18.1	53.0
	AD0605MB-A70GL(T)	⊙ ※ ○ ●	5	0.19	0.95	3500	0.514	18.180	0.122	3.098	28.6	
	AD0612LB-A70GL(T)	⊙ ※ ○ ●	12	0.06	0.72	2500	0.373	13.200	0.063	1.600	18.1	
	AD0612MB-A70GL(T)	⊙ ※ ○ ●	12	0.10	1.20	3500	0.514	18.180	0.122	3.098	28.6	
	AD0612HB-A70GL(T)	⊙ ※ ○ ●	12	0.19	2.28	4500	0.692	24.485	0.201	5.105	36.0	
	AD0612UB-A70GL(T)	⊙ ※ ○ ●	12	0.25	3.00	5000	0.764	27.000	0.230	5.842	40.0	
	AD0624MB-A70GL(T)	⊙ ※ ○ ●	24	0.06	1.44	3500	0.514	18.180	0.122	3.098	28.6	
	AD0624HB-A70GL(T)	⊙ ※ ○ ●	24	0.12	2.88	4500	0.692	24.485	0.201	5.105	36.0	

Specifications subject to change without notice.

The specification for bearing type is for reference only , for more bearing types information, please contact with your ADDA sales representative, thanks!!
 (網頁上呈現產品軸承資訊均以2Ball為主，若需其他產品資訊請聯絡您在ADDA的業務代表，謝謝！！)



*Motor protective circuit and third lead wire functions

0	1	2	3	4	6	7	8	9	A	B
✓					✓					

*Safety approvals

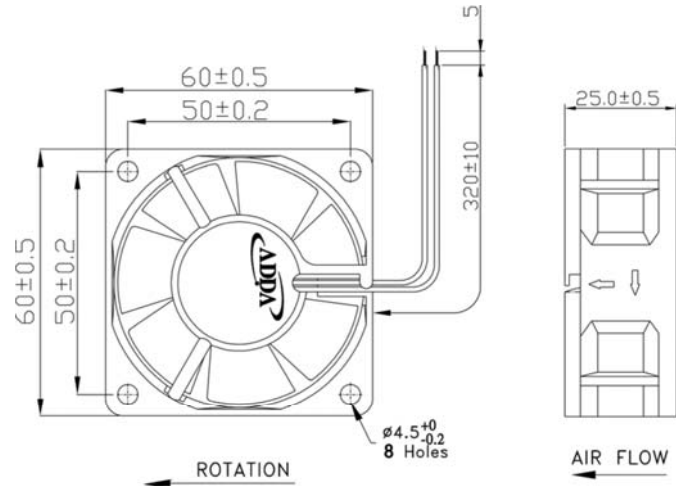
✓	✓		✓	✓



AD6025 SERIES



External Dimensions



Frame:Plastic(UL:94V-0)
 Impeller:Plastic(UL:94V-0)
 Lead wire:UL1007AWG24

Specifications(Nominal)

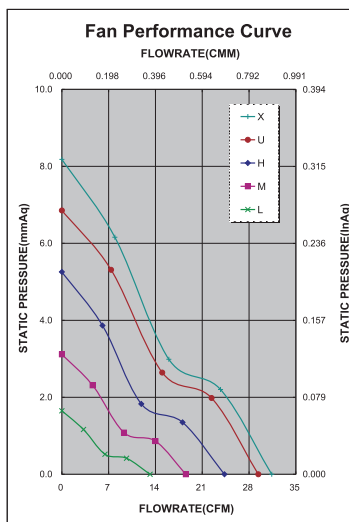
*Noise is measured at the distance of one (1) meter from the axis of intake.

Bearing type: ⊙=Ball ※=Sleeve ○=1B1S ●=Hypro bearing

Frame size (mm)	Model No.	Bearing System Type	Rated Voltage (VDC)	Current (A)	Power (W)	Rated Speed (rpm)	Maximum AirFlow (CMM)	Maximum AirFlow (CFM)	Maximum Pressure (InAq)	Maximum Pressure (mmAq)	*Noise Level (dB/A)	Weight (g)
60x60x25	AD0605LB-A71GL	⊙ ※ ●	5	0.08	0.40	2500	0.373	13.200	0.063	1.600	18.1	53.0
	AD0605MB-A71GL	⊙ ※ ●	5	0.17	0.85	3500	0.524	18.540	0.122	3.098	26.0	
	AD0605HB-A71GL	⊙ ※ ●	5	0.35	1.75	4500	0.688	24.330	0.207	5.257	36.3	
	AD0612LB-A71GL	⊙ ※ ●	12	0.04	0.48	2500	0.373	13.200	0.063	1.600	18.1	
	AD0612MB-A71GL	⊙ ※ ●	12	0.08	0.96	3500	0.524	18.540	0.122	3.098	26.0	
	AD0612HB-A71GL	⊙ ※ ●	12	0.13	1.56	4500	0.688	24.330	0.207	5.257	36.3	
	AD0612UB-A71GL	⊙ ※ ●	12	0.22	2.64	5300	0.832	29.400	0.270	6.858	40.5	
	AD0612XB-A71GL	⊙	12	0.30	3.60	6100	0.888	31.400	0.320	8.128	42.9	
	AD0624LB-A71GL	⊙ ※ ●	24	0.07	1.68	2500	0.373	13.200	0.063	1.600	18.1	
	AD0624MB-A71GL	⊙ ※ ●	24	0.06	1.44	3500	0.524	18.540	0.122	3.098	26.0	
	AD0624HB-A71GL	⊙ ※ ●	24	0.08	1.92	4500	0.688	24.330	0.207	5.257	36.3	
	AD0624UB-A71GL	⊙ ※ ●	24	0.11	2.64	5000	0.789	27.880	0.242	6.146	37.6	

Specifications subject to change without notice.

The specification for bearing type is for reference only , for more bearing types information, please contact with your ADDA sales representative, thanks!!
 (網頁上呈現產品軸承資訊均以2Ball為主, 若需其他產品資訊請聯絡您在ADDA的業務代表, 謝謝!!)



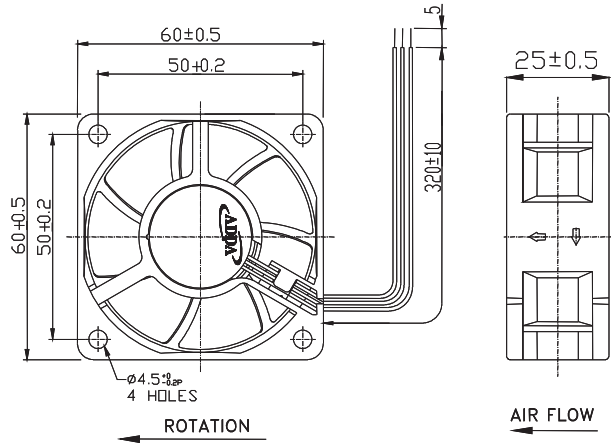
*Motor protective circuit and third lead wire functions

0	1	2	3	4	6	7	8	9	A	B
	✓	✓	✓	✓			✓	✓	✓	✓

*Safety approvals

✓	✓		✓	✓

External Dimensions



Frame: Plastic (UL:94V-0)
 Impeller: Plastic (UL:94V-0)
 Lead wire: UL1007AWG24

Specifications (Nominal)

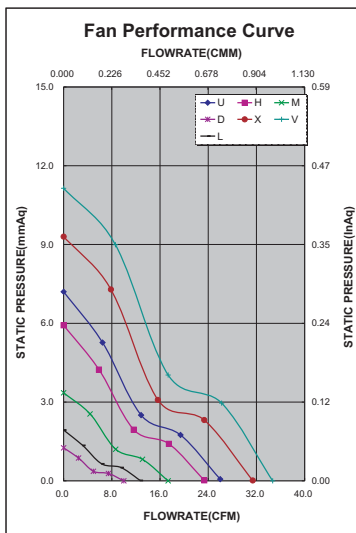
*Noise is measured at the distance of one (1) meter from the axis of intake.

Bearing type: ◎=Ball ※=Sleeve ○=1B1S ●=Hypro bearing

Frame size (mm)	Model No.	Bearing System Type	Rated Voltage (VDC)	Current (A)	Power (W)	Rated Speed (rpm)	Maximum AirFlow (CMM)	Maximum AirFlow (CFM)	Maximum Pressure (InAq)	Maximum Pressure (mmAq)	*Noise Level (dB/A)	Weight (g)
60x60x25	AD06012DB257000	◎ ※ ●	12	0.03	0.36	2000	0.282	9.981	0.049	1.244	12.4	53.0
	AD06012LB257000	◎ ※ ●	12	0.04	0.48	2500	0.359	12.714	0.076	1.930	15.9	
	AD06012MB257000	◎ ※ ●	12	0.08	0.96	3500	0.490	17.344	0.131	3.327	26.9	
	AD06012HB257000	◎ ※ ●	12	0.12	1.44	4500	0.660	23.340	0.233	5.918	33.8	
	AD06012UB257000	◎ ※ ●	12	0.18	2.16	5000	0.734	25.970	0.283	7.188	37.1	
	AD06012DB257100	◎ ※ ●	12	0.03	0.36	2000	0.282	9.981	0.049	1.244	12.4	
	AD06012LB257100	◎ ※ ●	12	0.05	0.60	2500	0.359	12.714	0.076	1.930	15.9	
	AD06012MB257100	◎ ※ ●	12	0.08	0.96	3500	0.490	17.344	0.131	3.327	26.9	
	AD06012HB257100	◎ ※ ●	12	0.13	1.56	4500	0.660	23.340	0.233	5.918	33.8	
	AD06012UB257100	◎ ※ ●	12	0.16	1.92	5000	0.734	25.970	0.283	7.188	37.1	
	AD06012XB257100	◎ ※ ●	12	0.26	3.24	6000	0.888	31.380	0.366	9.296	42.8	
	AD06012VB257100	◎	12	0.28	3.36	6600	0.981	34.695	0.438	11.125	46.8	

Specifications subject to change without notice.

The specification for bearing type is for reference only, for more bearing types information, please contact with your ADDA sales representative, thanks!!
 (網頁上呈現產品軸承資訊均以2Ball為主, 若需其他產品資訊請聯絡您在ADDA的業務代表, 謝謝!!)



*Motor protective circuit and third lead wire functions

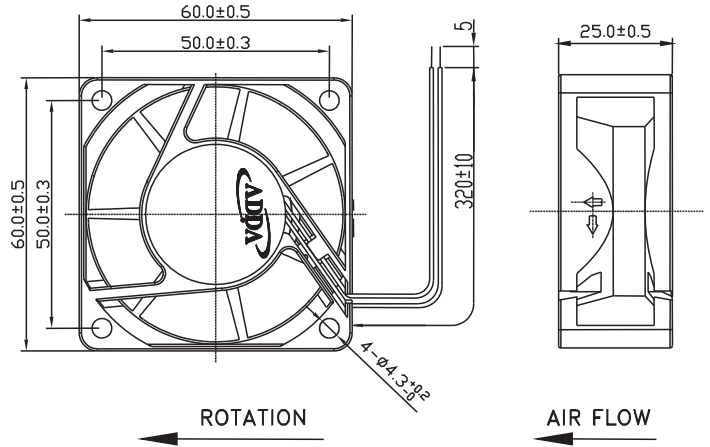
0	1	2	3	4	6	7	8	9	A	B
✓	✓	✓	✓		✓			✓		✓

*Safety approvals

✓	✓		✓	✓

AD6025GP SERIES

External Dimensions



Frame: Plastic (UL:94V-0)
 Impeller: Plastic (UL:94V-0)
 Lead wire: UL1007AWG24

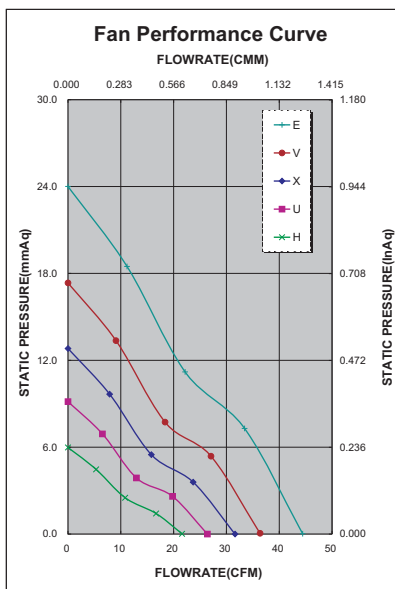
Specifications (Nominal)

*Noise is measured at the distance of one (1) meter from the axis of intake.

Bearing type: ◎=Ball ※=Sleeve ○=1B1S ●=Hypro bearing

Frame size (mm)	Model No.	Bearing System Type	Rated Voltage (VDC)	Current (A)	Power (W)	Rated Speed (rpm)	Maximum AirFlow (CMM)	Maximum AirFlow (CFM)	Maximum Pressure (InAq)	Maximum Pressure (mmAq)	*Noise Level (dB/A)	Weight (g)
60x60x25	AD0612HB-A71GP(P)	◎	12	0.10	1.20	4500	0.611	21.597	0.235	5.969	35.3	
	AD0612UB-A71GP(P)	◎	12	0.22	2.64	5500	0.752	26.566	0.347	8.813	41.4	
	AD0612XB-A71GP(P)	◎	12	0.28	3.60	6500	0.899	31.770	0.489	12.420	44.3	77.0
	AD0612VB-A71GP(P)	◎	12	0.38	4.56	7500	1.056	37.310	0.688	17.475	50.0	
	AD0612EB-A71GP(P)	◎	12	0.60	7.20	9000	1.256	44.400	0.945	24.003	52.5	

Specifications subject to change without notice.



*Motor protective circuit and third lead wire functions

0	1	2	3	4	6	7	8	9	A	B
	✓	✓	✓						✓	✓

*Safety approvals

✓	✓		✓	✓