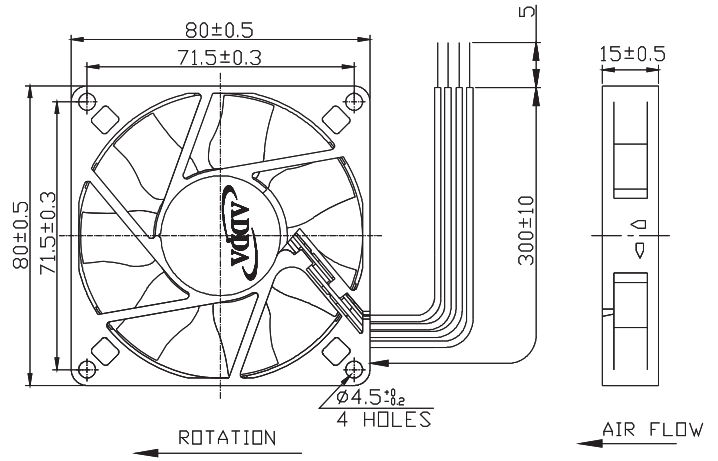




# AD8015-7 SERIES



## External Dimensions



Frame:Plastic(UL:94V-0)  
 Impeller:Plastic(UL:94V-0)  
 Lead wire:UL1061AWG26

## Specifications(Nominal)

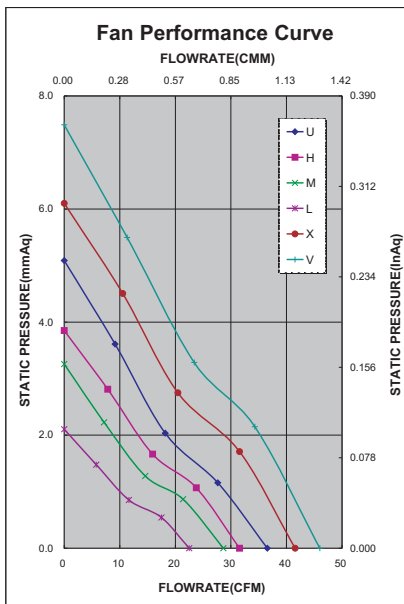
\*:Noise is measured at the distance of one (1) meter from the axis of intake.

Bearing type: ◎=Ball ※=Sleeve ○=1B1S ●=Hypro bearing

Frame size (mm)	Model No.	Bearing System Type	Rated Voltage (VDC)	Current (A)	Power (W)	Rated Speed (rpm)	Maximum AirFlow (CMM)	Maximum AirFlow (CFM)	Maximum Pressure (InAq)	Maximum Pressure (mmAq)	*Noise Level (dB/A)	Weight (g)
80x80x15	AD0812LB-D7B	◎ ※ ●	12	0.09	1.08	2500	0.636	22.500	0.080	2.032	26.5	63.0
	AD0812MB-D7B	◎ ※ ●	12	0.12	1.44	3000	0.811	28.692	0.128	3.251	31.0	
	AD0812HB-D7B	◎ ※ ●	12	0.15	1.80	3500	0.891	31.500	0.150	3.810	36.5	
	AD0812UB-D7B	◎ ※ ●	12	0.27	3.24	4000	1.032	36.500	0.195	4.953	40.0	
	AD0812XB-D7B	◎ ※ ●	12	0.33	3.96	4500	1.174	41.500	0.240	6.096	44.0	
	AD0812VB-D7B	◎ ●	12	0.40	4.80	5000	1.301	46.000	0.290	7.366	46.0	

Specifications subject to change without notice.

The specification for bearing type is for reference only , for more bearing types information, please contact with your ADDA sales representative, thanks!!  
 (網頁上呈現產品軸承資訊均以2Ball為主，若需其他產品資訊請聯絡您在ADDA的業務代表，謝謝!!)



\*Motor protective circuit and third lead wire functions

0	1	2	3	4	6	7	8	9	A	B
								✓		✓

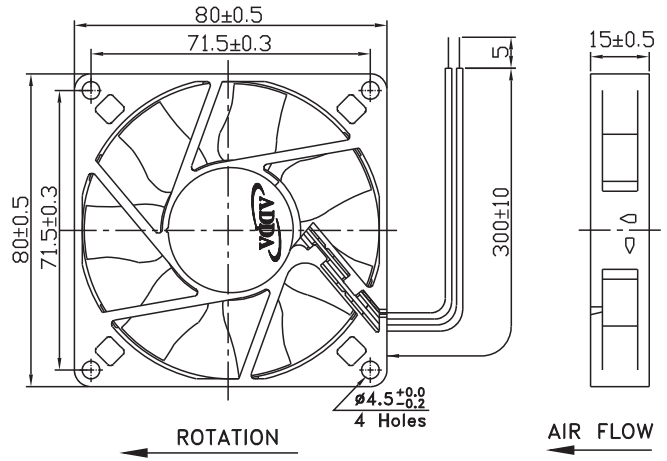
\*Safety approvals

✓	✓		✓	✓



# AD8015-7(T) SERIES

## External Dimensions



Frame:Plastic(UL:94V-0)  
 Impeller:Plastic(UL:94V-0)  
 Lead wire:UL1007AWG24

## Specifications(Nominal)

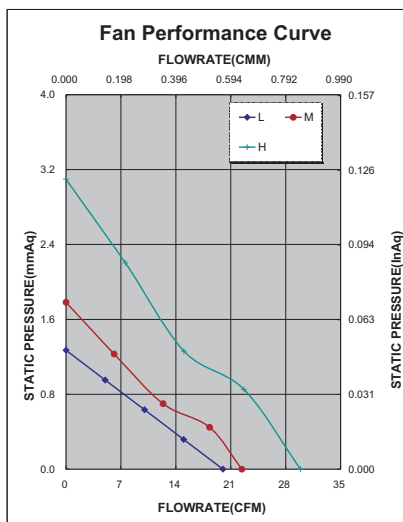
\*Noise is measured at the distance of one (1) meter from the axis of intake.

Bearing type: ◎=Ball ※=Sleeve ○=1B1S ●=Hypro bearing

Frame size (mm)	Model No.	Bearing System Type	Rated Voltage (VDC)	Current (A)	Power (W)	Rated Speed (rpm)	Maximum AirFlow (CMM)	Maximum AirFlow (CFM)	Maximum Pressure (InAq)	Maximum Pressure (mmAq)	*Noise Level (dB/A)	Weight (g)
80x80x15	AD0812LB-D70(T)	◎ ※ ●	12	0.06	0.72	2000	0.518	18.335	0.052	1.320	18.8	62.0
	AD0812MB-D70(T)	◎ ※ ●	12	0.08	0.96	2440	0.617	21.805	0.078	1.981	24.9	
	AD0812HB-D70(T)	◎ ※ ●	12	0.11	1.32	3200	0.841	29.722	0.122	3.098	34.4	
	AD0824MB-D70(T)	◎ ※ ●	24	0.04	0.96	2440	0.617	21.805	0.078	1.981	24.9	
	AD0824HB-D70(T)	◎ ※ ●	24	0.08	1.92	3200	0.841	29.722	0.122	3.098	34.4	

Specifications subject to change without notice.

The specification for bearing type is for reference only, for more bearing types information, please contact with your ADDA sales representative, thanks!!  
 (網頁上呈現產品軸承資訊均以2Ball為主, 若需其他產品資訊請聯絡您在ADDA的業務代表, 謝謝!!)



\*Motor protective circuit and third lead wire functions

0	1	2	3	4	6	7	8	9	A	B
✓					✓					

\*Safety approvals

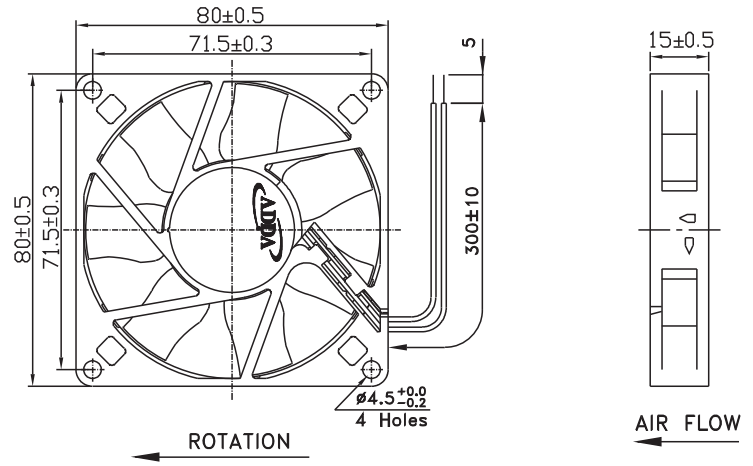
✓	✓		✓	✓



# AD8015-7 SERIES



## External Dimensions



Frame:Plastic(UL:94V-0)  
 Impeller:Plastic(UL:94V-0)  
 Lead wire:UL1007AWG24

## Specifications(Nominal)

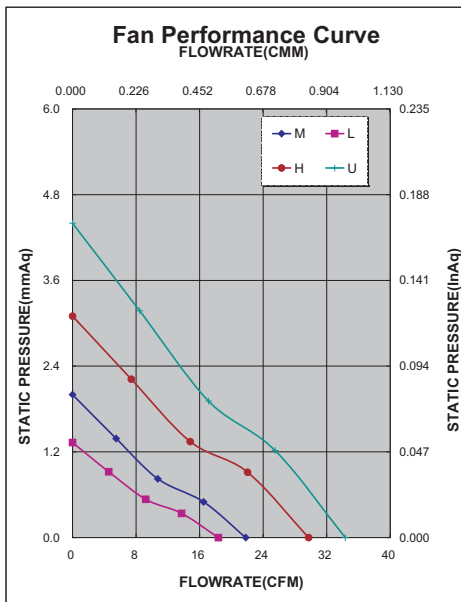
\*Noise is measured at the distance of one (1) meter from the axis of intake.

Bearing type: ◎=Ball ※=Sleeve ○=1B1S ●=Hypro bearing

Frame size (mm)	Model No.	Bearing System Type	Rated Voltage (VDC)	Current (A)	Power (W)	Rated Speed (rpm)	Maximum AirFlow (CMM)	Maximum AirFlow (CFM)	Maximum Pressure (InAq)	Maximum Pressure (mmAq)	*Noise Level (dB/A)	Weight (g)
80x80x15	AD0805MB-D71	◎ ※ ○ ●	5	0.13	0.65	2440	0.617	21.805	0.078	1.981	24.9	62.0
	AD0805HB-D71	◎ ※ ○ ●	5	0.22	1.10	3200	0.841	29.722	0.122	3.098	34.4	
	AD0812LB-D71	◎ ※ ○ ●	12	0.04	0.48	2000	0.518	18.335	0.052	1.320	18.8	
	AD0812MB-D71	◎ ※ ○ ●	12	0.05	0.60	2440	0.617	21.805	0.078	1.981	24.9	
	AD0812HB-D71	◎ ※ ○ ●	12	0.11	1.32	3200	0.841	29.722	0.122	3.098	34.4	
	AD0812UB-D71	◎ ※ ○ ●	12	0.16	1.92	3800	0.971	34.338	0.173	4.394	38.1	
	AD0824MB-D71	◎ ※ ○ ●	24	0.05	1.20	2440	0.617	21.805	0.078	1.981	24.9	
	AD0824HB-D71	◎ ※ ○ ●	24	0.08	1.92	3200	0.841	29.722	0.122	3.098	34.4	

Specifications subject to change without notice.

The specification for bearing type is for reference only, for more bearing types information, please contact with your ADDA sales representative, thanks!!  
 (網頁上呈現產品軸承資訊均以2Ball為主, 若需其他產品資訊請聯絡您在ADDA的業務代表, 謝謝!!)



\*Motor protective circuit and third lead wire functions

0	1	2	3	4	6	7	8	9	A	B
	✓	✓	✓							

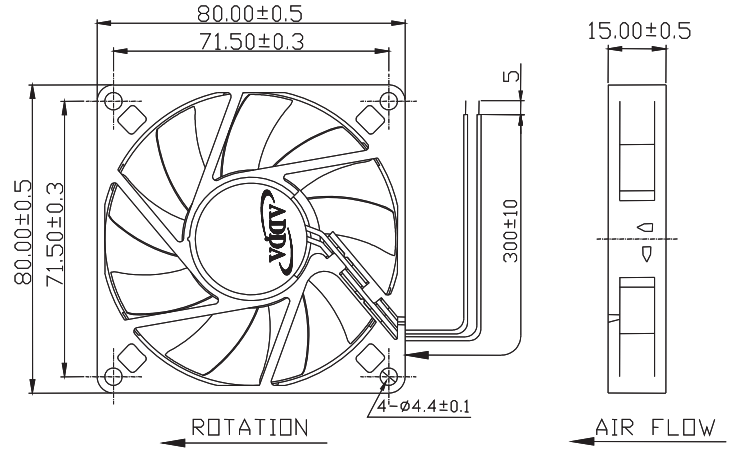
\*Safety approvals

✓	✓		✓	✓



# AD8015-9(T) SERIES

## External Dimensions



Frame:Plastic(UL:94V-0)  
 Impeller:Plastic(UL:94V-0)  
 Lead wire:UL1007AWG24

## Specifications(Nominal)

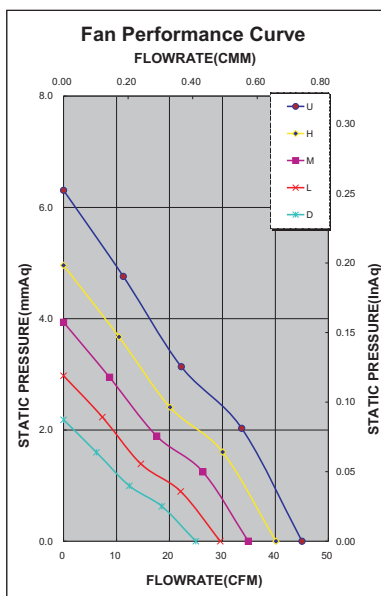
\*Noise is measured at the distance of one (1) meter from the axis of intake.

Bearing type: ◎=Ball ※=Sleeve ○=1B1S ●=Hypro bearing

Frame size (mm)	Model No.	Bearing System Type	Rated Voltage (VDC)	Current (A)	Power (W)	Rated Speed (rpm)	Maximum AirFlow (CMM)	Maximum AirFlow (CFM)	Maximum Pressure (InAq)	Maximum Pressure (mmAq)	*Noise Level (dB/A)	Weight (g)
80x80x15	AD0812DB-D90(T)	◎ ※ ●	12	0.07	0.84	2500	0.706	24.958	0.086	2.184	30.2	63.0
	AD0812LB-D90(T)	◎ ※ ●	12	0.10	1.20	3000	0.837	29.581	0.117	2.971	36.0	
	AD0812MB-D90(T)	◎ ※ ●	12	0.14	1.68	3500	0.987	34.897	0.155	3.934	40.4	
	AD0812HB-D90(T)	◎ ※ ●	12	0.20	2.40	4000	1.135	40.111	0.195	4.958	44.5	
	AD0812UB-D90(T)	◎ ※ ●	12	0.26	3.12	4500	1.274	45.019	0.248	6.306	48.0	
	AD0824DB-D90(T)	◎ ※ ●	24	0.04	0.96	2500	0.706	24.958	0.086	2.184	30.2	
	AD0824LB-D90(T)	◎ ※ ●	24	0.05	1.20	3000	0.837	29.581	0.117	2.971	36.0	
	AD0824MB-D90(T)	◎ ※ ●	24	0.06	1.44	3500	0.987	34.897	0.155	3.934	40.4	
	AD0824HB-D90(T)	◎ ※ ●	24	0.10	2.40	4000	1.135	40.111	0.195	4.958	44.5	
	AD0824UB-D90(T)	◎ ※ ●	24	0.14	3.36	4500	1.274	45.019	0.248	6.306	48.0	

Specifications subject to change without notice.

The specification for bearing type is for reference only , for more bearing types information, please contact with your ADDA sales representative, thanks!! (網頁上呈現產品軸承資訊均以2Ball為主, 若需其他產品資訊請聯絡您在ADDA的業務代表, 謝謝!!)



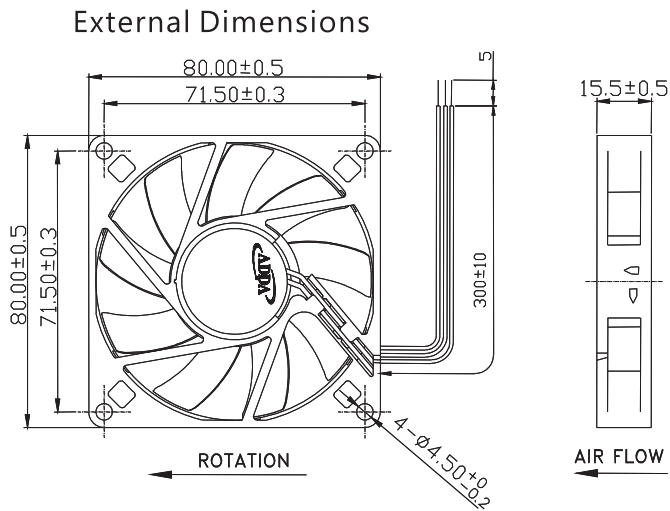
\*Motor protective circuit and third lead wire functions

0	1	2	3	4	6	7	8	9	A	B
✓					✓					

\*Safety approvals

✓	✓		✓	✓

# AD8015GP SERIES



Frame:Plastic(UL:94V-0)  
 Impeller:Plastic(UL:94V-0)  
 Lead wire:UL1007AWG24

## Specifications(Nominal)

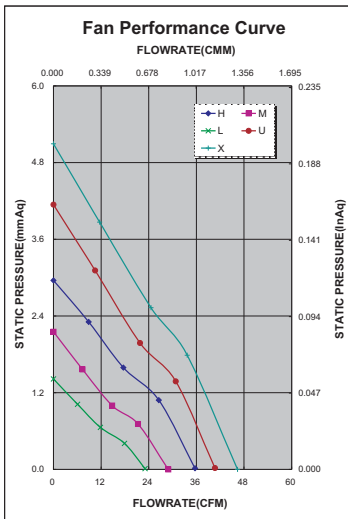
\*Noise is measured at the distance of one (1) meter from the axis of intake.

Bearing type: ⊙=Ball ※=Sleeve ○=1B1S ●=Hypro bearing

Frame size (mm)	Model No.	Bearing System Type	Rated Voltage (VDC)	Current (A)	Power (W)	Rated Speed (rpm)	Maximum AirFlow (CMM)	Maximum AirFlow (CFM)	Maximum Pressure (InAq)	Maximum Pressure (mmAq)	*Noise Level (dB/A)	Weight (g)
80x80x15	AD0812LB-D9*GP	⊙ ●	12	0.05	0.60	2000	0.651	23.00	0.050	1.27	23.5	63.0
	AD0812MB-D9*GP	⊙ ●	12	0.10	1.20	2500	0.807	28.50	0.080	2.03	30.0	
	AD0812HB-D9*GP	⊙ ●	12	0.13	1.56	3000	0.990	35.00	0.120	3.05	36.0	
	AD0812UB-D9*GP	⊙ ●	12	0.18	2.16	3500	1.146	40.50	0.160	4.06	40.5	
	AD0812XB-D9*GP	⊙ ●	12	0.28	3.36	4000	1.302	46.00	0.200	5.08	44.0	

Specifications subject to change without notice.

The specification for bearing type is for reference only , for more bearing types information, please contact with your ADDA sales representative, thanks!!  
 (網頁上呈現產品軸承資訊均以2Ball為主，若需其他產品資訊請聯絡您在ADDA的業務代表，謝謝!!)



\*Motor protective circuit and third lead wire functions

0	1	2	3	4	6	7	8	9	A	B
	✓	✓	✓							

\*Safety approvals

✓	✓		✓	✓