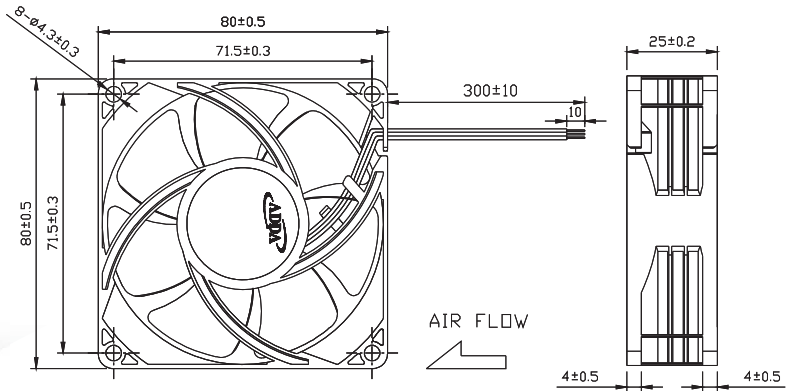




AD8025 SERIES

External Dimensions



Frame:Plastic(UL:94V-0)
 Impeller:Plastic(UL:94V-0)
 Lead wire:UL 1007AWG26

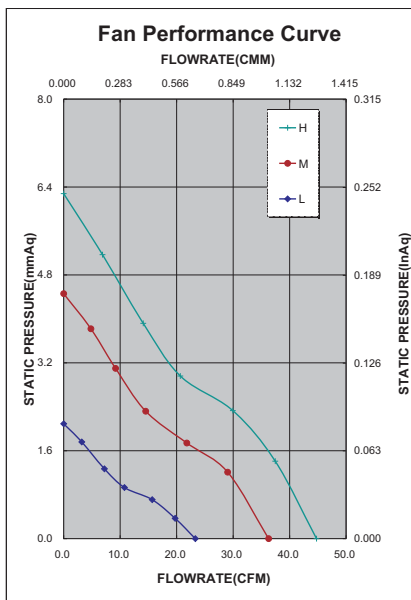
Specifications(Nominal)

*:Noise is measured at the distance of one (1) meter from the axis of intake.

Bearing type: ◎=Ball ※=Sleeve ○=1B1S ●=Hypro bearing

Frame size (mm)	Model No.	Bearing System Type	Rated Voltage (VDC)	Current (A)	Power (W)	Rated Speed (rpm)	Maximum AirFlow (CMM)	Maximum AirFlow (CFM)	Maximum Pressure (InAq)	Maximum Pressure (mmAq)	*Noise Level (dB/A)	Weight (g)
80x80x25	AD08012LB2576A0(OHT)	◎	12	0.08	0.96	2000	0.660	23.313	0.082	2.090	23.6	
	AD08012MB2576A0(OHT)	◎	12	0.14	1.68	3000	1.016	36.287	0.175	4.460	32.9	93.5
	AD08012HB2576A0(OHT)	◎	12	0.21	2.52	3700	1.267	44.760	0.247	6.280	37.9	

Specifications subject to change without notice.



*Motor protective circuit and third lead wire functions

0	1	2	3	4	6	7	8	9	A	B
✓					✓					

*Safety approvals

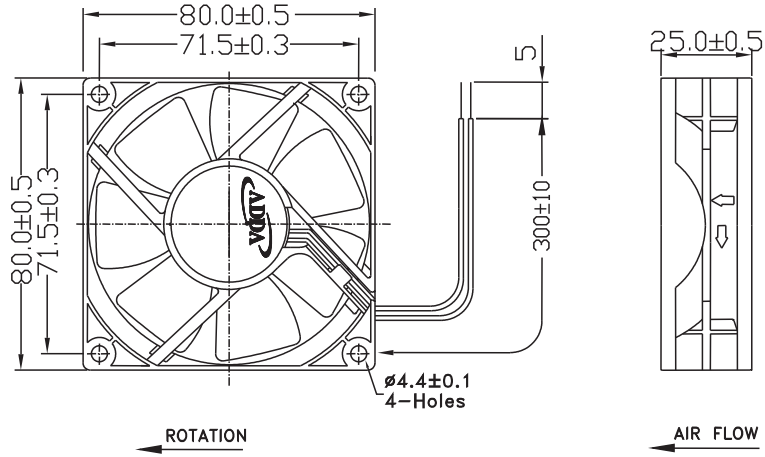
✓	✓		✓	✓



AD8025(T) SERIES



External Dimensions



Frame: Plastic(UL:94V-0)
 Impeller: Plastic(UL:94V-0)
 Lead wire: UL1007AWG24

Specifications(Nominal)

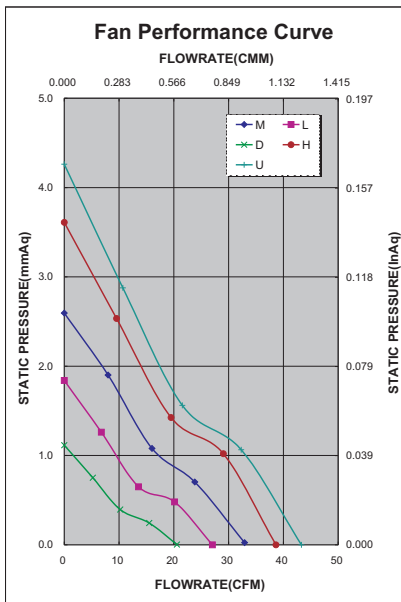
*Noise is measured at the distance of one (1) meter from the axis of intake.

Bearing type: ○=Ball ※=Sleeve ◯=1B1S ●=Hypro bearing

Frame size (mm)	Model No.	Bearing System Type	Rated Voltage (VDC)	Current (A)	Power (W)	Rated Speed (rpm)	Maximum AirFlow (CMM)	Maximum AirFlow (CFM)	Maximum Pressure (InAq)	Maximum Pressure (mmAq)	*Noise Level (dB/A)	Weight (g)
80x80x25	AD0812DB-A70GL(HT)	◎ ※ ○ ●	12	0.05	0.60	1600	0.582	20.570	0.043	1.092	16.5	86.0
	AD0812LB-A70GL(HT)	◎ ※ ○ ●	12	0.08	0.96	2100	0.764	27.019	0.072	1.828	22.3	
	AD0812MB-A70GL(HT)	◎ ※ ○ ●	12	0.12	1.44	2500	0.916	32.384	0.102	2.590	29.4	
	AD0812HB-A70GL(HT)	◎ ※ ○ ●	12	0.21	2.52	3000	1.093	38.648	0.142	3.606	35.2	
	AD0812UB-A70GL(HT)	◎ ※ ○ ●	12	0.23	2.76	3400	1.225	43.291	0.167	4.241	37.4	
	AD0824LB-A70GL(HT)	◎ ※ ○ ●	24	0.04	0.96	2100	0.764	27.019	0.072	1.828	22.3	
	AD0824MB-A70GL(HT)	◎ ※ ○ ●	24	0.07	1.68	2500	0.916	32.384	0.102	2.590	29.4	
	AD0824HB-A70GL(HT)	◎ ※ ○ ●	24	0.10	2.40	3000	1.093	38.648	0.142	3.606	35.2	

Specifications subject to change without notice.

The specification for bearing type is for reference only, for more bearing types information, please contact with your ADDA sales representative, thanks!!
 (網頁上呈現產品軸承資訊均以2Ball為主, 若需其他產品資訊請聯絡您在ADDA的業務代表, 謝謝!!)



*Motor protective circuit and third lead wire functions

0	1	2	3	4	6	7	8	9	A	B
✓					✓					

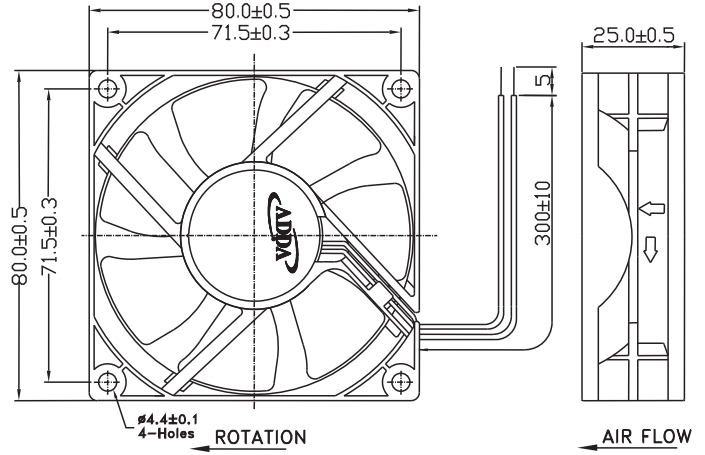
*Safety approvals

✓	✓	✓	✓	✓

AD8025 SERIES



External Dimensions



Frame:Plastic(UL:94V-0)
 Impeller:Plastic(UL:94V-0)
 Lead wire:UL1007AWG24

Specifications(Nominal)

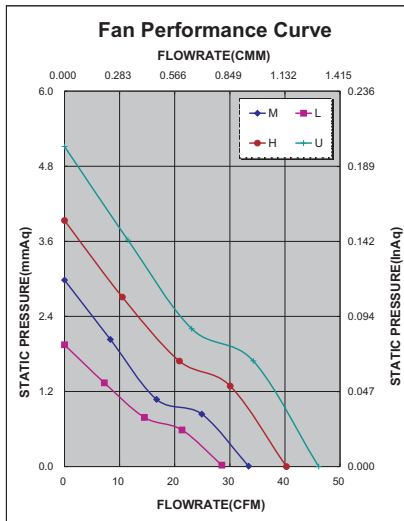
*Noise is measured at the distance of one (1) meter from the axis of intake.

Bearing type: ◎=Ball ※=Sleeve ○=1B1S ●=Hypro bearing

Frame size (mm)	Model No.	Bearing System Type	Rated Voltage (VDC)	Current (A)	Power (W)	Rated Speed (rpm)	Maximum AirFlow (CMM)	Maximum AirFlow (CFM)	Maximum Pressure (InAq)	Maximum Pressure (mmAq)	*Noise Level (dB/A)	Weight (g)
80x80x25	AD0812LB-A70GL(HTCA)	◎ ※ ○ ●	12	0.08	0.96	2100	0.803	28.387	0.075	1.905	22.1	86.0
	AD0812MB-A70GL(HTCA)	◎ ※ ○ ●	12	0.12	1.44	2500	0.945	33.400	0.117	2.971	28.3	
	AD0812HB-A70GL(HTCA)	◎ ※ ○ ●	12	0.21	2.52	3000	1.139	40.259	0.154	3.911	33.4	
	AD0812UB-A70GL(HTCA)	◎ ※ ○ ●	12	0.23	2.76	3400	1.305	46.132	0.201	5.105	38.5	

Specifications subject to change without notice.

The specification for bearing type is for reference only , for more bearing types information, please contact with your ADDA sales representative, thanks!!
 (網頁上呈現產品軸承資訊均以2Ball為主，若需其他產品資訊請聯絡您在ADDA的業務代表，謝謝！！)



*Motor protective circuit and third lead wire functions

0	1	2	3	4	6	7	8	9	A	B
✓					✓					

*Safety approvals

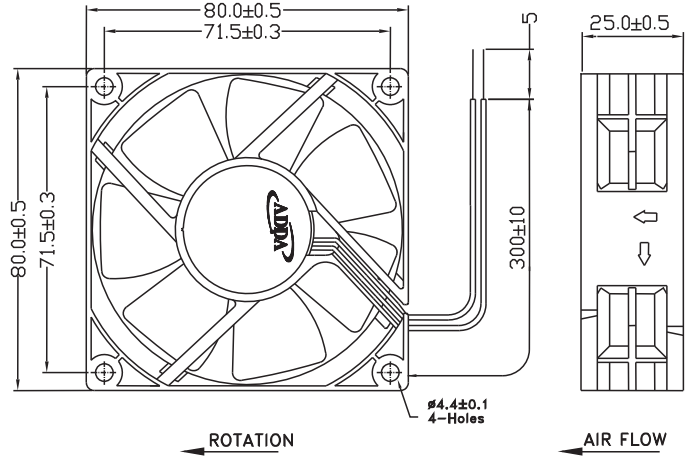
✓	✓	✓	✓	✓



AD8025 SERIES



External Dimensions



Frame:Plastic(UL:94V-0)
 Impeller:Plastic(UL:94V-0)
 Lead wire:UL1007AWG24

Specifications(Nominal)

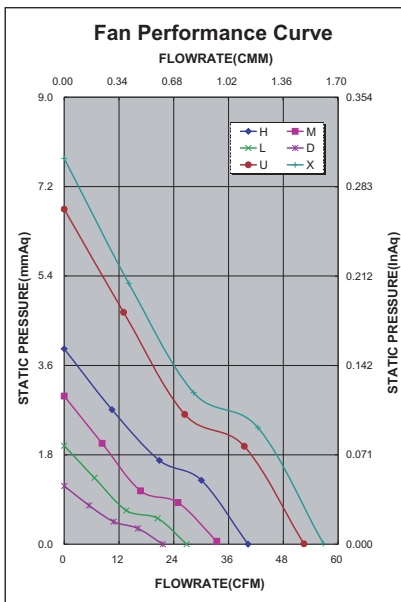
*Noise is measured at the distance of one (1) meter from the axis of intake.

Bearing type: ◎=Ball ※=Sleeve ○=1B1S ●=Hypro bearing

Frame size (mm)	Model No.	Bearing System Type	Rated Voltage (VDC)	Current (A)	Power (W)	Rated Speed (rpm)	Maximum AirFlow (CMM)	Maximum AirFlow (CFM)	Maximum Pressure (InAq)	Maximum Pressure (mmAq)	*Noise Level (dB/A)	Weight (g)
80x80x25	AD0812DB-A71GL(N)	◎ ※ ●	12	0.04	0.48	1600	0.611	21.607	0.046	1.168	14.0	
	AD0812LB-A71GL(N)	◎ ※ ●	12	0.06	0.72	2000	0.758	26.801	0.078	1.981	21.6	
	AD0812MB-A71GL(N)	◎ ※ ●	12	0.09	1.08	2500	0.945	33.400	0.117	2.971	28.3	
	AD0812HB-A71GL(N)	◎ ※ ●	12	0.16	1.92	3000	1.139	40.259	0.154	3.911	33.4	
	AD0812UB-A71GL(N)	◎ ※ ●	12	0.30	3.60	3900	1.485	52.494	0.265	6.731	40.8	86.0
	AD0812XB-A71GL(N)	◎ ※ ●	12	0.33	3.96	4200	1.606	56.768	0.303	7.696	43.4	
	AD0824MB-A71GL(N)	◎ ※ ●	24	0.06	1.44	2500	0.945	33.400	0.117	2.971	28.3	
	AD0824HB-A71GL(N)	◎ ※ ●	24	0.09	2.16	3000	1.139	40.259	0.154	3.911	33.4	
	AD0824UB-A71GL(N)	◎ ※ ●	24	0.15	3.60	3900	1.485	52.494	0.265	6.731	40.8	

Specifications subject to change without notice.

The specification for bearing type is for reference only , for more bearing types information, please contact with your ADDA sales representative, thanks!!
 (網頁上呈現產品軸承資訊均以2Ball為主，若需其他產品資訊請聯絡您在ADDA的業務代表，謝謝！！)



*Motor protective circuit and third lead wire functions

0	1	2	3	4	6	7	8	9	A	B
	✓	✓	✓							

*Safety approvals

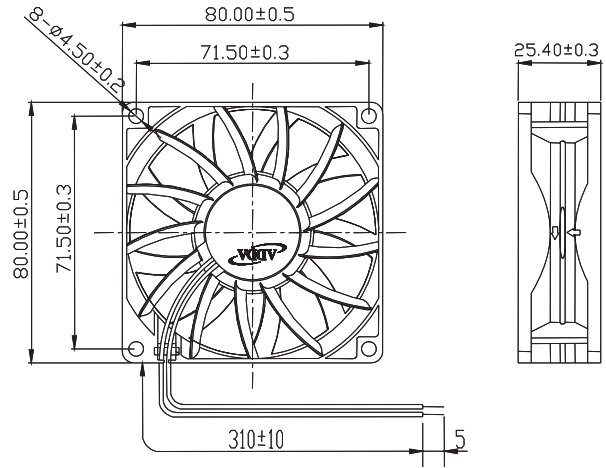
✓	✓	✓	✓	✓



AD8025DS SERIES



External Dimensions



Frame: Plastic(UL:94V-0)
 Impeller: Plastic(UL:94V-0)
 Bearing: Ball bearing
 Lead wire: UL1007AWG24
 Voltage Available: 12V

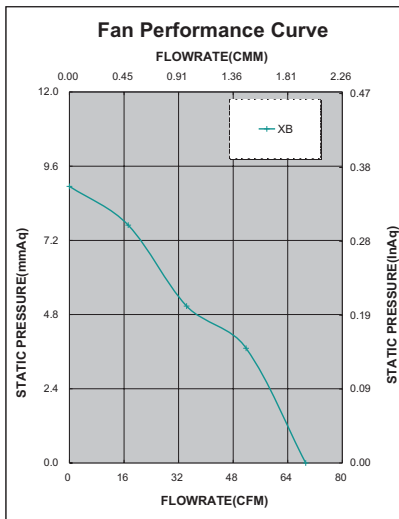
Specifications(Nominal)

*Noise is measured at the distance of one (1) meter from the axis of intake.

Bearing type: ◎=Ball ※=Sleeve ○=1B1S ●=Hypro bearing

Frame size (mm)	Model No.	Bearing System Type	Rated Voltage (VDC)	Rated Current (A)	Actual Current (A)	Rated Power (W)	Actual Power (W)	Rated Speed (rpm)	Maximum AirFlow (CMM)	Maximum AirFlow (CFM)	Maximum Pressure (InAq)	Maximum Pressure (mmAq)	*Noise Level (dB/A)	Weight (g)
80x80x25	AS08012XB259300	◎	12	0.12	0.05	0.60	0.25	4500	1.966	69.50	0.360	9.14	49.5	28.0

Specifications subject to change without notice.



*Motor protective circuit and third lead wire functions

0	1	2	3	4	6	7	8	9	A	B
	✓				✓					

*Safety approvals

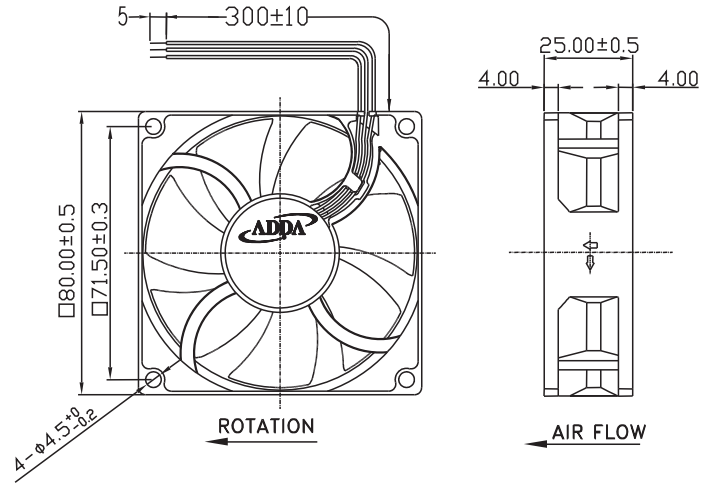
				✓



AD8025GP SERIES



External Dimensions



Frame:Plastic(UL:94V-0)
 Impeller:Plastic(UL:94V-0)
 Lead wire:UL1007AWG24

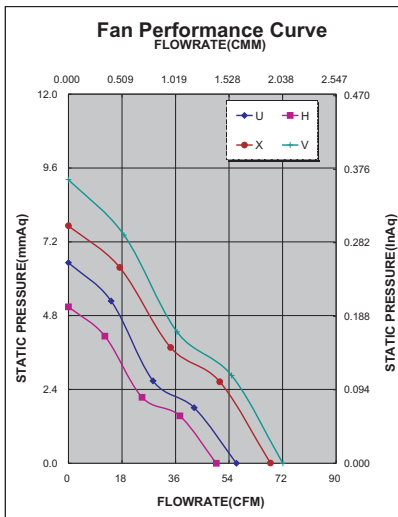
Specifications(Nominal)

*:Noise is measured at the distance of one (1) meter from the axis of intake.

Bearing type: ◎=Ball ※=Sleeve ○=1B1S ●=Hypro bearing

Frame size (mm)	Model No.	Bearing System Type	Rated Voltage (VDC)	Current (A)	Power (W)	Rated Speed (rpm)	Maximum AirFlow (CMM)	Maximum AirFlow (CFM)	Maximum Pressure (InAq)	Maximum Pressure (mmAq)	*Noise Level (dB/A)	Weight (g)
80x80x25	AD0812HB-A73GP	◎	12	0.17	2.04	3500	1.406	49.700	0.200	5.080	38.5	95.0
	AD0812UB-A73GP	◎	12	0.27	3.24	4000	1.584	56.000	0.250	6.350	43.5	
	AD0812XB-A73GP	◎	12	0.38	4.56	4500	1.896	67.000	0.300	7.620	46.0	
	AD0812VB-A73GP	◎	12	0.55	6.60	5000	2.037	72.000	0.360	9.144	49.0	
	AD0824HB-A73GP	◎	24	0.10	2.40	3500	1.406	49.700	0.200	5.080	38.5	
	AD0824UB-A73GP	◎	24	0.13	3.12	4000	1.584	56.000	0.250	6.350	43.5	
	AD0824XB-A73GP	◎	24	0.18	4.32	4500	1.896	67.000	0.300	7.620	46.0	
	AD0824VB-A73GP	◎	24	0.26	6.24	5000	2.037	72.000	0.360	9.144	49.0	
	AD0848HB-A73GP	◎	48	0.05	2.40	3500	1.406	49.700	0.200	5.080	38.5	
	AD0848UB-A73GP	◎	48	0.08	3.84	4000	1.584	56.000	0.250	6.350	43.5	
	AD0848XB-A73GP	◎	48	0.11	5.28	4500	1.896	67.000	0.300	7.620	46.0	
	AD0848VB-A73GP	◎	48	0.13	6.24	5000	2.037	72.000	0.360	9.144	49.0	

Specifications subject to change without notice.



*Motor protective circuit and third lead wire functions

0	1	2	3	4	6	7	8	9	A	B
	✓	✓	✓					✓		✓

*Safety approvals

				✓