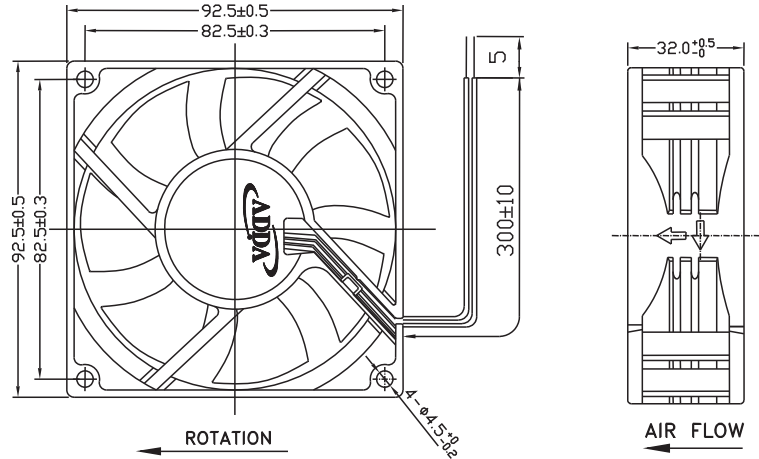




AD9232 SERIES

External Dimensions



Frame:Plastic(UL:94V-0)
 Impeller:Plastic(UL:94V-0)
 Lead wire:UL1007AWG24

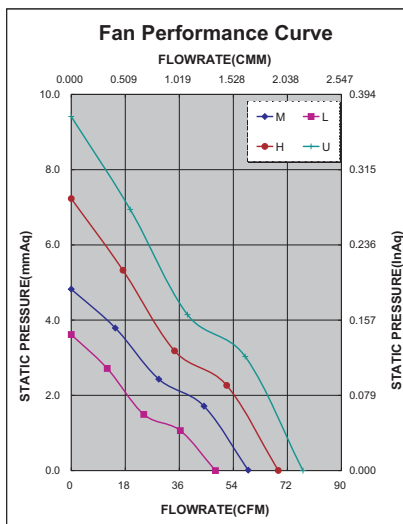
Specifications(Nominal)

*:Noise is measured at the distance of one (1) meter from the axis of intake.

Bearing type: ◎=Ball ※=Sleeve ○=1B1S ●=Hypro bearing

Frame size (mm)	Model No.	Bearing System Type	Rated Voltage (VDC)	Current (A)	Power (W)	Rated Speed (rpm)	Maximum AirFlow (CMM)	Maximum AirFlow (CFM)	Maximum Pressure (InAq)	Maximum Pressure (mmAq)	*Noise Level (dB/A)	Weight (g)
92x92x32	AD0912LB-Y71GL(N)	◎	12	0.16	1.92	2500	1.359	48.046	0.142	3.606	34.7	140.0
	AD0912MB-Y71GL(N)	◎	12	0.24	2.88	3000	1.668	58.973	0.189	4.800	39.5	
	AD0912HB-Y71GL(N)	◎	12	0.36	4.32	3500	1.951	68.954	0.284	7.213	44.0	
	AD0912UB-Y71GL(N)	◎	12	0.45	5.40	3900	2.184	77.186	0.371	9.423	50.0	
	AD0924LB-Y71GL(N)	◎	24	0.08	1.92	2500	1.359	48.046	0.142	3.606	34.7	
	AD0924MB-Y71GL(N)	◎	24	0.14	3.36	3000	1.668	58.973	0.189	4.800	39.5	
	AD0924HB-Y71GL(N)	◎	24	0.21	5.04	3500	1.951	68.954	0.284	7.213	44.0	

Specifications subject to change without notice.



*Motor protective circuit and third lead wire functions

0	1	2	3	4	6	7	8	9	A	B
	✓	✓	✓							

*Safety approvals

✓	✓		✓	✓