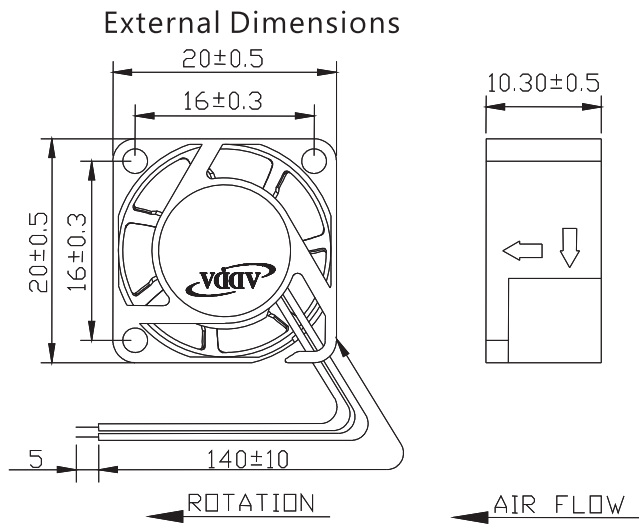




AG2010 SERIES



Frame:Plastic(UL:94V-0)
 Impeller:Plastic(UL:94V-0)
 Lead wire:UL1507AWG28

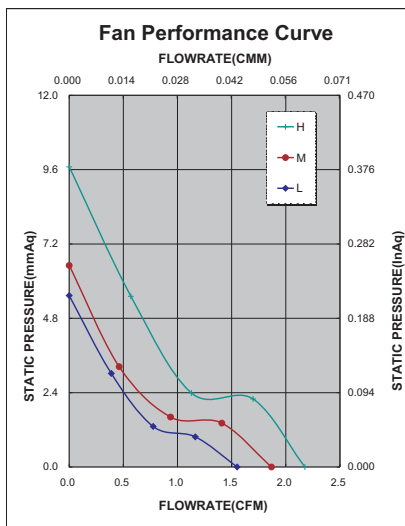
Specifications(Nominal)

*:Noise is measured at the distance of one (1) meter from the axis of intake.

Bearing type: ⊙=Ball ⊛=Sleeve ○=1B1S ●=Hypro bearing

| Frame size (mm) | Model No. | Bearing System Type | Rated Voltage (VDC) | Current (A) | Power (W) | Rated Speed (rpm) | Maximum AirFlow (CMM) | Maximum AirFlow (CFM) | Maximum Pressure (InAq) | Maximum Pressure (mmAq) | *Noise Level (dB/A) | Weight (g) |
|-----------------|-----------------|---------------------|---------------------|-------------|-----------|-------------------|-----------------------|-----------------------|-------------------------|-------------------------|---------------------|------------|
| 20x20x10 | AG02005LX107100 | ● | 5 | 0.078 | 0.39 | 12000 | 0.042 | 1.500 | 0.210 | 5.334 | 23.0 | 4.8 |
| | AG02005MX107100 | ● | 5 | 0.090 | 0.45 | 14000 | 0.050 | 1.800 | 0.250 | 6.350 | 26.0 | |
| | AG02005HX107100 | ● | 5 | 0.150 | 0.75 | 16000 | 0.061 | 2.161 | 0.381 | 9.677 | 29.4 | |

Specifications subject to change without notice.



*Motor protective circuit and third lead wire functions

| | | | | | | | | | | |
|---|---|---|---|---|---|---|---|---|---|---|
| 0 | 1 | 2 | 3 | 4 | 6 | 7 | 8 | 9 | A | B |
| | ✓ | | ✓ | | | | | | | |

*Safety approvals

| | | | | |
|---|---|--|---|---|
| | | | | |
| ✓ | ✓ | | ✓ | ✓ |