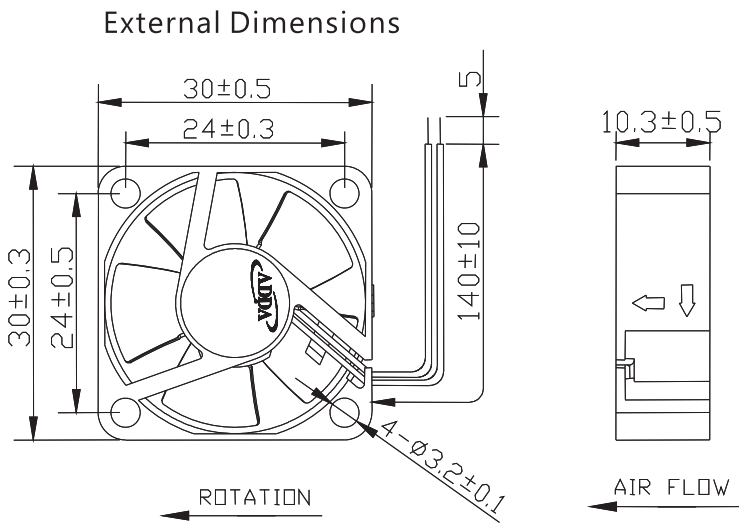


AG3010 SERIES



Frame:Plastic(UL:94V-0)
 Impeller:Plastic(UL:94V-0)
 Lead wire:UL 1507AWG28

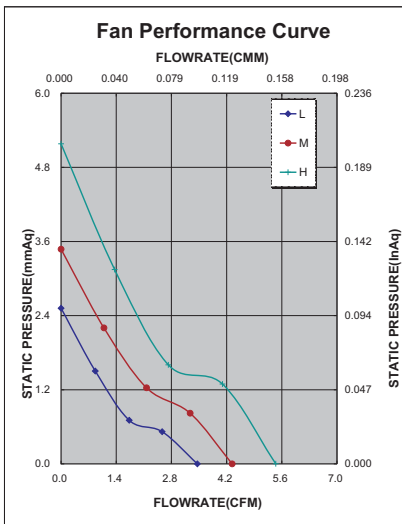
Specifications(Nominal)

*Noise is measured at the distance of one (1) meter from the axis of intake.

Bearing type: ⊙=Ball ⊛=Sleeve ○=1B1S ●=Hypro bearing

Frame size (mm)	Model No.	Bearing System Type	Rated Voltage (VDC)	Current (A)	Power (W)	Rated Speed (rpm)	Maximum AirFlow (CMM)	Maximum AirFlow (CFM)	Maximum Pressure (InAq)	Maximum Pressure (mmAq)	*Noise Level (dB/A)	Weight (g)
30x30x10	AG03005LX105100	●	5	0.07	0.35	6500	0.098	3.460	0.099	2.520	17.5	6.5
	AG03005MX105100	●	5	0.11	0.55	8000	0.123	4.340	0.137	3.480	22.3	
	AG03005HX105100	●	5	0.12	0.60	9500	0.154	5.450	0.204	5.180	29.0	

Specifications subject to change without notice.



*Motor protective circuit and third lead wire functions

0	1	2	3	4	6	7	8	9	A	B
	✓		✓							

*Safety approvals

				✓