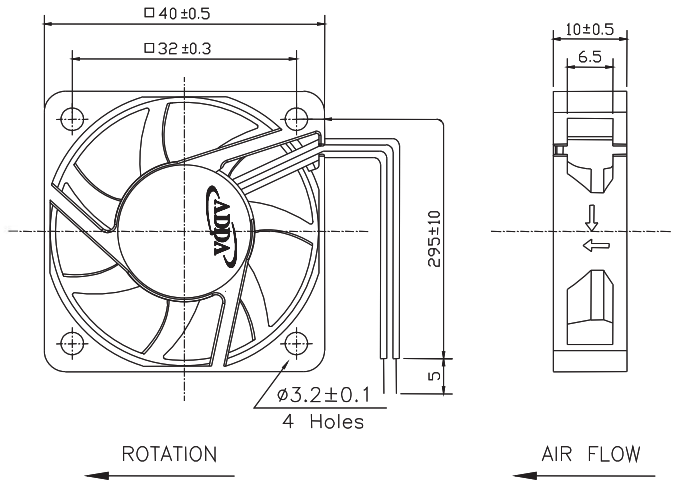




AG4010 SERIES



External Dimensions



Frame:Plastic(UL:94V-0)
 Impeller:Plastic(UL:94V-0)
 Lead wire:UL1007AWG26

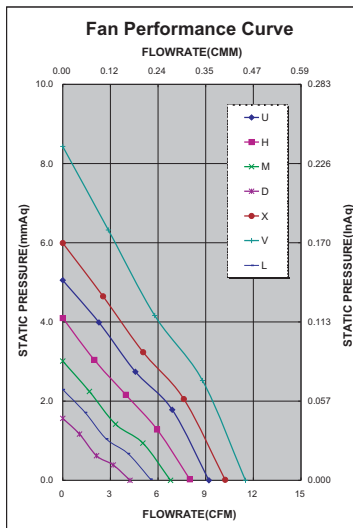
Specifications(Nominal)

*Noise is measured at the distance of one (1) meter from the axis of intake.

Bearing type: ◎=Ball ※=Sleeve ○=1B1S ●=Hypro bearing

Frame size (mm)	Model No.	Bearing System Type	Rated Voltage (VDC)	Current (A)	Power (W)	Rated Speed (rpm)	Maximum AirFlow (CMM)	Maximum AirFlow (CFM)	Maximum Pressure (InAq)	Maximum Pressure (mmAq)	*Noise Level (dB/A)	Weight (g)
40x40x10	AG04012DB107100	◎	12	0.05	0.60	4000	0.118	4.200	0.060	1.524	15.0	17.0
	AG04012LB107100	◎	12	0.06	0.72	5000	0.154	5.460	0.086	2.184	23.2	
	AG04012MB107100	◎	12	0.07	0.84	6000	0.192	6.810	0.120	3.048	26.5	
	AG04012HB107100	◎	12	0.08	0.96	7000	0.227	8.040	0.163	4.140	31.0	
	AG04012UB107100	◎	12	0.10	1.20	8000	0.260	9.210	0.200	5.080	35.7	
	AG04012XB107100	◎	12	0.13	1.56	9000	0.291	10.310	0.234	5.943	37.2	
	AG04012VB107100	◎	12	0.17	2.04	10000	0.322	11.400	0.332	8.432	39.1	

Specifications subject to change without notice.



*Motor protective circuit and third lead wire functions

0	1	2	3	4	6	7	8	9	A	B
	✓	✓	✓							

*Safety approvals

✓	✓		✓	✓