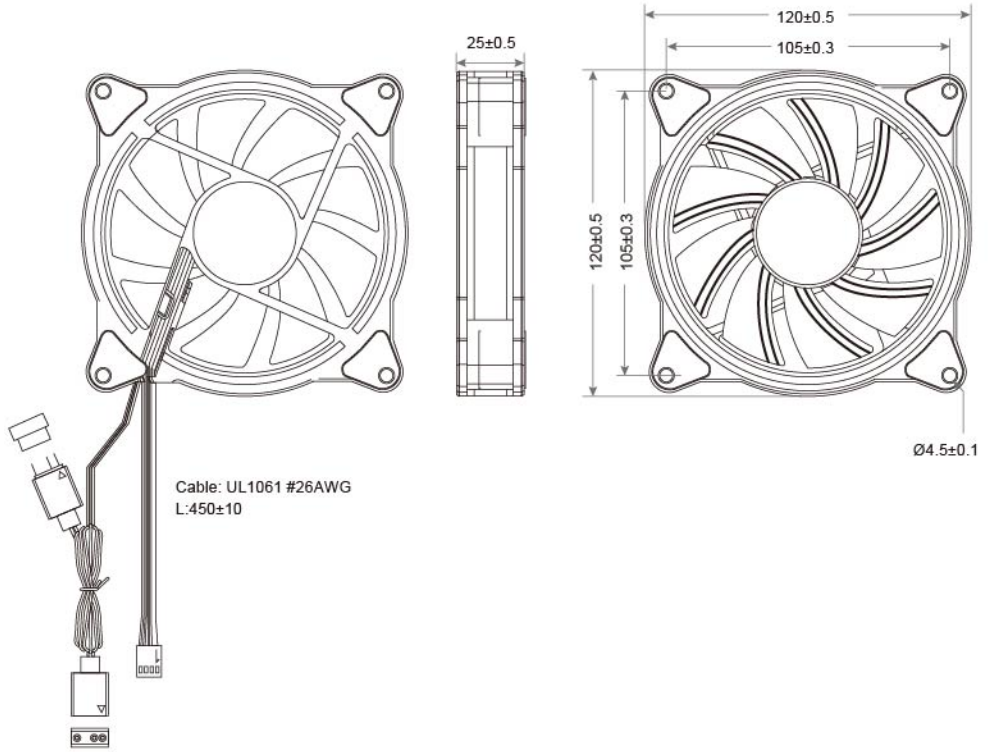


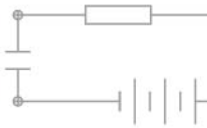
ARGB Fan
120X120X25mm



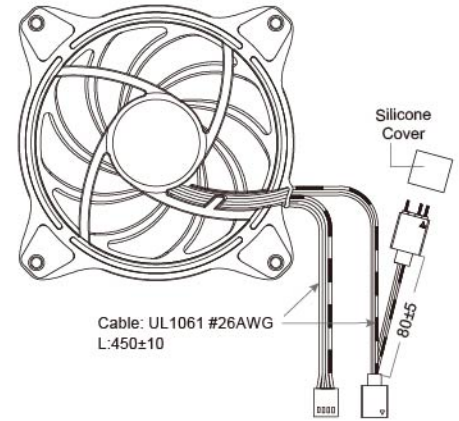
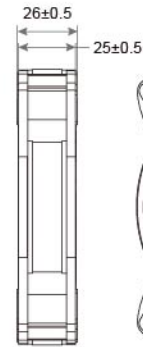
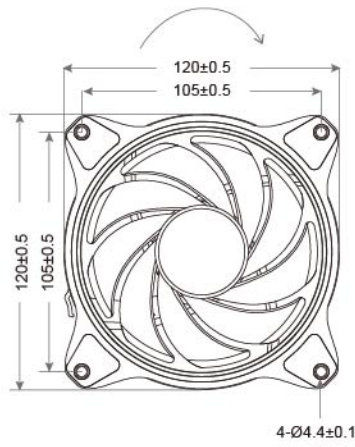
- Frame : PBT-V0
外框材質：環保防火PBT-V0
- Impeller : PBT-V0
扇葉材質：環保防火PBT-V0
- Bearing System : ★WRB Bearing
軸承結構：★專利軸承

Model No.	Bearing Type	Voltage (VDC)	Current (A)	Power (W)	Speed (RPM)	Air Flow (CFM)	Air Flow (m ³ /min)	Air Pressure (mmH ₂ O)	Air Pressure (Inch H ₂ O)	Noise (dBA)
TRS1225S12M.W.B.1(I)	★	12(5~13.8)	0.18	2.16	1800	43.82	1.24	1.48	0.59	30.2

★產品詳細數據及功能請參閱承認書 Product have a detail in the approval sheet.
★產品規格變更不另行通知 Specifications are subject to change without notice.



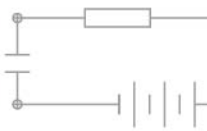
ARGB Fan
120X120X25mm



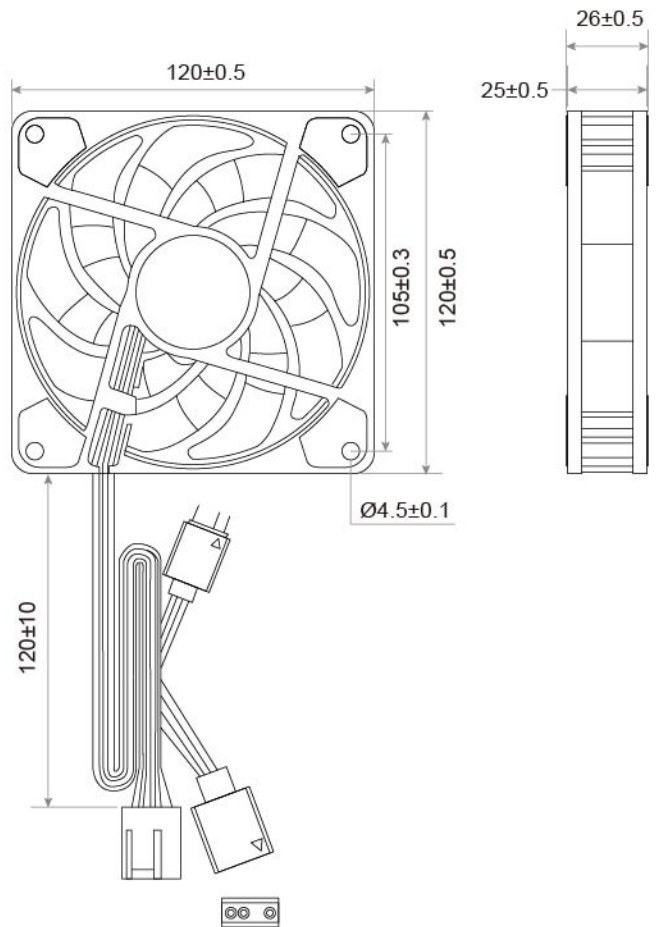
- Frame : PBT-V0
外框材質：環保防火PBT-V0
- Impeller : PBT-V0
扇葉材質：環保防火PBT-V0
- Bearing System : ★WRB Bearing
軸承結構：★專利軸承

Model No.	Bearing Type	Voltage (VDC)	Current (A)	Power (W)	Speed (RPM)	Air Flow (CFM)	Air Flow (m ³ /min)	Air Pressure (mmH ₂ O)	Air Pressure (Inch H ₂ O)	Noise (dBA)
TRS1225S12M.W.W.1(I)	★	12(5~13.8)	0.18	2.16	1800	43.82	1.24	1.48	0.59	30.2

★產品詳細數據及功能請參閱承認書 Product have a detail in the approval sheet.
★產品規格變更不另行通知 Specifications are subject to change without notice.



ARGB Fan
120X120X25mm

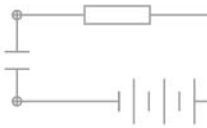


- Frame : PBT-GP
外框材質：環保防火PBT-GP
- Impeller : PBT-GP
扇葉材質：環保防火PBT-GP
- Bearing System : ★WRB Bearing
軸承結構：★專利軸承

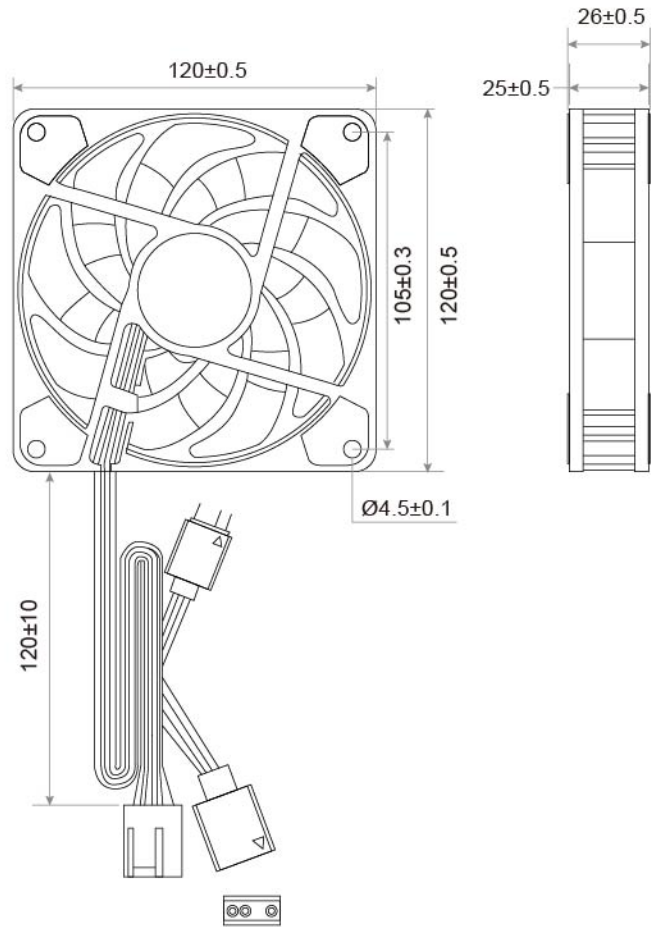
Model No.	Bearing Type	Voltage (VDC)	Current (A)	Power (W)	Speed (RPM)	Air Flow (CFM) (m ³ /min)	Air Pressure (mmH ₂ O) (Inch H ₂ O)	Noise (dBA)
TRS1225S12M.W.W.1(I)	★	12(5~13.8)	0.23	2.27	1800	48.5 1.37	1.3 0.05	30

★產品詳細數據及功能請參閱承認書 Product have a detail in the approval sheet.
★產品規格變更不另行通知 Specifications are subject to change without notice.

⊗ Bearing System ⊙ : Ball ※ : Sleeve ★ : WRB Bearing



ARGB Fan
120X120X25mm



- Frame : PBT-GP
外框材質：環保防火PBT-GP
- Impeller : PBT-GP
扇葉材質：環保防火PBT-GP
- Bearing System : ★WRB Bearing
軸承結構：★專利軸承

Model No.	Bearing Type	Voltage (VDC)	Current (A)	Power (W)	Speed (RPM)	Air Flow (CFM)	Air Flow (m ³ /min)	Air Pressure (mmH ₂ O)	Air Pressure (Inch H ₂ O)	Noise (dBA)
TRS1225S12M.W.B.1(I)	★	12(5~13.8)	0.23	2.27	1800	48.5	1.37	1.3	0.05	30

★產品詳細數據及功能請參閱承認書 Product have a detail in the approval sheet.
★產品規格變更不另行通知 Specifications are subject to change without notice.