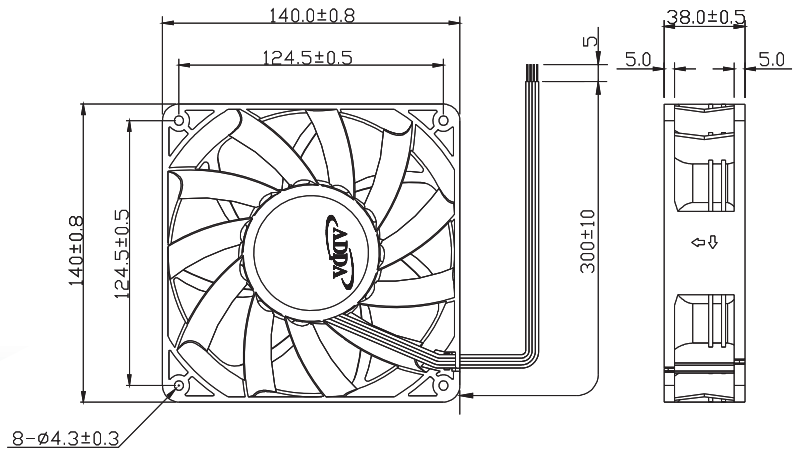




# AS14038 SERIES

## External Dimensions



Frame:Plastic(UL:94V-0)  
 Impeller:Plastic(UL:94V-0)  
 Lead wire:UL1430AWG22

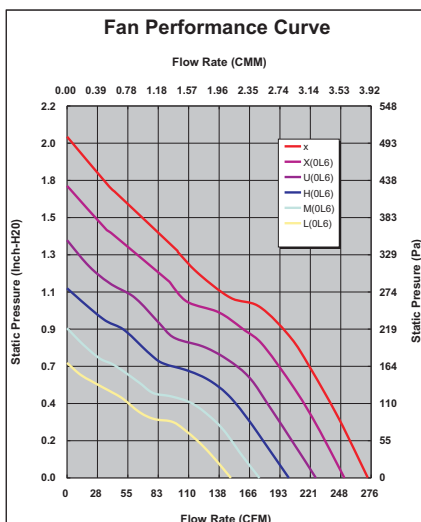
## Specifications(Nominal)

\*:Noise is measured at the distance of one (1) meter from the axis of intake.

Bearing type: ◎=Ball ※=Sleeve ○=1B1S ●=Hypro bearing

Frame size (mm)	Model No.	Bearing System Type	Rated Voltage (VDC)	Current (A)	Power (W)	Rated Speed (rpm)	Maximum AirFlow (CMM)	Maximum AirFlow (CFM)	Maximum Pressure (InAq)	Maximum Pressure (mmAq)	*Noise Level (dB/A)	Weight (g)
140x140x38	AS014012LB387BB0(0L6)	◎	12	0.80	9.60	3600	4.190	148.000	0.675	17.200	56.7	551.0
	AS014012MB387BB0(0L6)	◎	12	1.26	15.12	4200	4.927	174.000	0.866	22.000	57.8	
	AS014012HB387BB0(0L6)	◎	12	1.75	21.00	4800	5.663	200.000	1.102	28.000	61.4	
	AS014012UB387BB0(0L6)	◎	12	2.20	26.40	5400	6.371	225.000	1.397	35.500	66.3	
	AS014012XB387BB0(0L6)	◎	12	3.20	38.40	6000	7.079	250.000	1.692	43.000	68.2	
	AS014012XB387BB0	◎	12	4.00	48.00	6600	7.680	271.500	2.015	51.000	70.2	

Specifications subject to change without notice.



\*Motor protective circuit and third lead wire functions

0	1	2	3	4	6	7	8	9	A	B
	✓	✓	✓							✓

\*Safety approvals

✓	✓		✓	✓