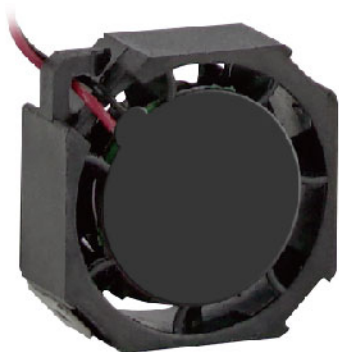
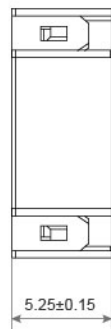
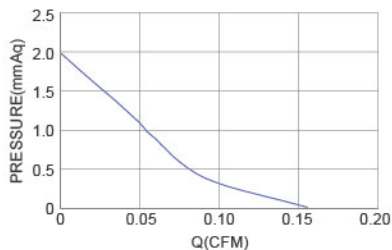


DC AXIAL FAN SFA1305 13X13X5mm



- Frame : Thermoplastic PBT UL94-V0
外框材質：環保防火PBT
- Impeller : Thermoplastic PBT UL94-V0
扇葉材質：環保防火PBT
- Bearing : ★WRB Bearing
軸承：★WRB軸承
- Unit Weight : 1.17g
風扇單體重量：1.17克

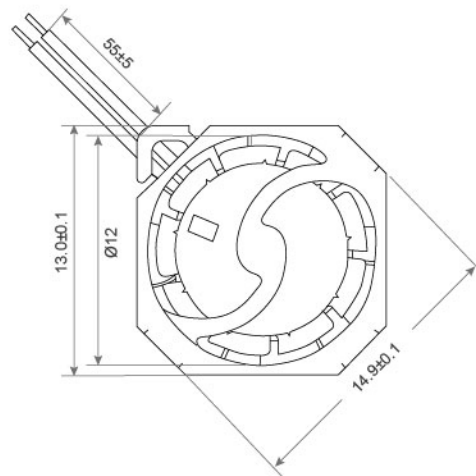
P&Q Curve At Rated Voltage



AIR FLOW



DIMENSIONS DRAWING UNIT : mm



Model No.	Bearing Type	Voltage (VDC)	Current (mA)	Power (W)	Speed (RPM)	Air Flow (CFM)	Air Flow (m ³ /min)	Air Pressure (mmH ₂ O)	Air Pressure (Inch H ₂ O)	Noise (dBA)
SFA1305	★	3.3(2.8~3.6)	39.0	0.13	16000	0.16	0.005	1.98	0.078	15.7