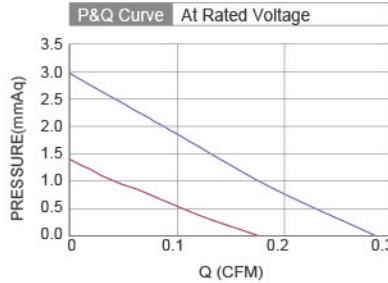


# DC AXIAL FAN SFA1504 15X15X4mm



- Frame : Thermoplastic PBT UL94-V0 & Aluminum  
外框材質：環保防火PBT及鋁蓋
- Impeller : Thermoplastic PBT UL94-V0  
扇葉材質：環保防火PBT
- Bearing : WRB Bearing  
軸承：WRB軸承
- Unit Weight : 1.27g  
風扇單體重量：1.27克

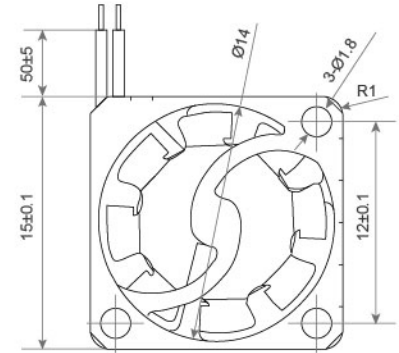
DIMENSIONS DRAWING UNIT : mm



4.35±0.15



AIR FLOW



| Model No. | Bearing Type | Voltage (VDC) | Current (mA) | Power (W) | Speed (RPM) | Air Flow (CFM) | Air Flow (m <sup>3</sup> /min) | Air Pressure (mmH <sub>2</sub> O) | Air Pressure (Inch H <sub>2</sub> O) | Noise (dBA) |
|-----------|--------------|---------------|--------------|-----------|-------------|----------------|--------------------------------|-----------------------------------|--------------------------------------|-------------|
| SFA1504U  | ★            | 2.4(2.4~3.3)  | 11.0         | 0.30      | 7500        | 0.18           | 0.005                          | 0.69                              | 0.027                                | 14.6        |
| SFA1504-3 | ★            | 3.3(2.8~3.6)  | 20.0         | 0.07      | 11000       | 0.28           | 0.008                          | 1.39                              | 0.055                                | 18.0        |
| SFA1504-5 | ★            | 5.0(4.5~5.5)  | 30.0         | 0.15      | 16000       | 0.12           | 0.003                          | 2.96                              | 0.117                                | 23.7        |

⊗ Bearing System ※ : Sleeve ★ : WRB ⊙ : Ball

★如果您需要的轉速或電壓或功能不在這份清單上，請與我們業務聯繫 Please contact us, if the SPEC you need is not in the list.

★產品詳細數據及功能請參閱承認書 Please see the approval sheet for more information . ★產品規格變更不另行通知 Specifications are subject to change without notice.