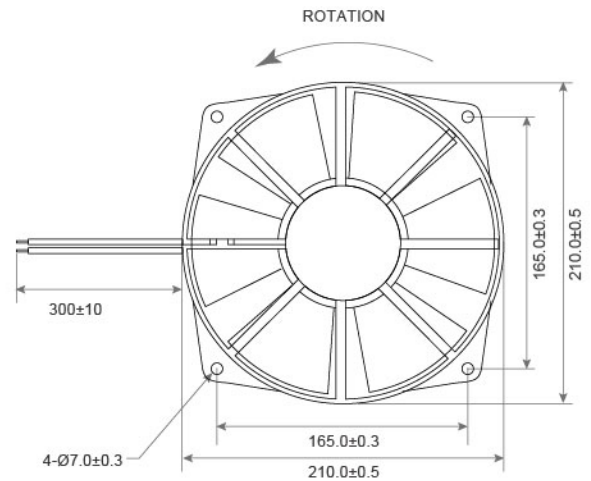
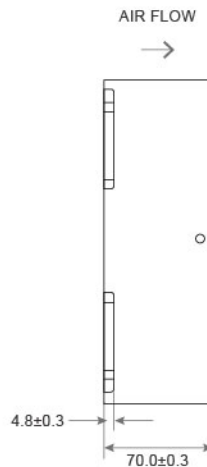


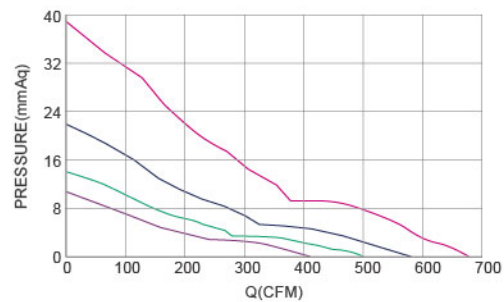
DC AXIAL FAN TRS20070 SERIES 200X200X70mm

DIMENSIONS DRAWING UNIT : mm



- Frame : Aluminum
外框材質：鋁框
- Impeller : Thermoplastic PBT UL94-V0
扇葉材質：環保防火PBT
- Bearing : ※Sleeve · ★WRB · ◎Two Ball Bearing
軸承：※含油 · ★WRB · ◎滾珠軸承
- Unit Weight : 1400g
風扇單體重量：1400克

P&Q Curve At Rated Voltage



Model No.	Bearing Type	Voltage (VDC)	Current (A)	Power (W)	Speed (RPM)	Air Flow (CFM)	Air Flow (m ³ /min)	Air Pressure (mmH ₂ O)	Air Pressure (Inch H ₂ O)	Noise (dBA)
TRS20070x12D	※◎★	12 (7.0~14.0)	0.70	8.40	1800	319.37	9.04	5.38	0.21	55.50
TRS20070x12L	※◎★	12 (7.0~14.0)	1.45	17.40	2300	408.08	11.55	8.79	0.35	62.70
TRS20070x12M	※◎★	12 (7.0~14.0)	2.40	28.80	2800	496.80	14.06	13.02	0.51	67.50
TRS20070x24D	※◎★	24 (15.0~27.0)	0.35	8.40	1800	319.37	9.04	5.38	0.21	55.50
TRS20070x24L	※◎★	24 (15.0~27.0)	0.72	17.28	2300	408.08	11.55	8.79	0.35	62.70
TRS20070x24M	※◎★	24 (15.0~27.0)	1.11	25.92	2800	496.80	14.06	13.02	0.51	67.50
TRS20070x24H	※◎★	24 (15.0~27.0)	1.95	46.80	3300	585.51	18.09	29.14	1.15	69.10
TRS20070x24VH	※◎★	24 (15.0~27.0)	3.20	76.80	3800	674.22	23.99	38.64	1.52	71.70
TRS20070x48D	※◎★	48 (35.0~57.0)	0.18	8.64	1800	319.37	9.04	5.38	0.21	55.50
TRS20070x48L	※◎★	48 (35.0~57.0)	0.36	17.28	2300	408.08	11.55	8.79	0.35	62.70
TRS20070x48M	※◎★	48 (35.0~57.0)	0.60	28.80	2800	496.80	14.06	13.02	0.51	67.50
TRS20070x48H	※◎★	48 (35.0~57.0)	1.00	48.00	3300	585.51	16.57	29.14	1.15	71.70
TRS20070x48VH	※◎★	48 (35.0~57.0)	1.60	76.80	3800	674.22	19.08	38.64	1.52	69.10

◎ Bearing System ※ : Sleeve ★ : WRB ◎ : Ball

★如果您需要的轉速或電壓或功能不在這份清單上，請與我們業務聯繫 Please contact us, if the SPEC you need is not in the list.