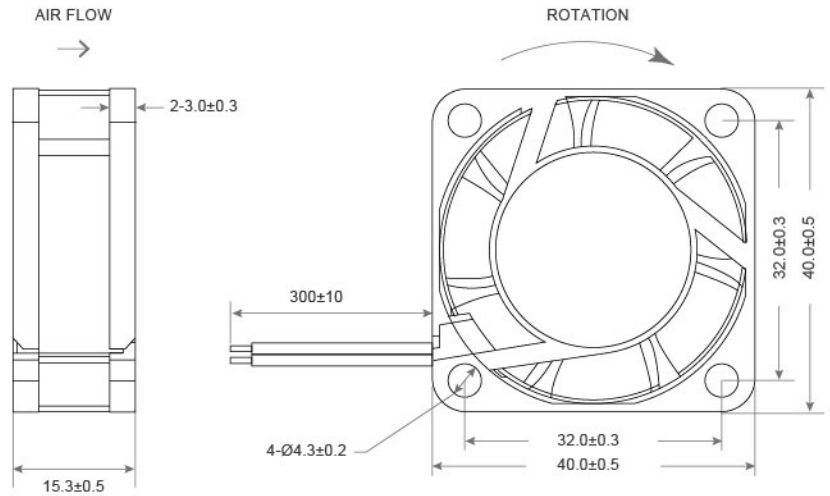


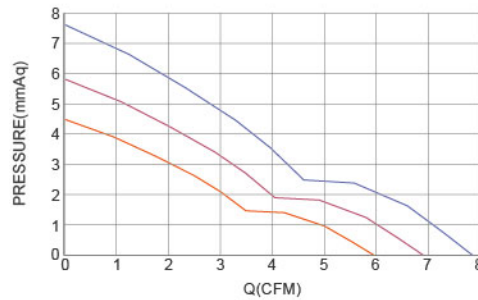
# DC AXIAL FAN TRS4015 SERIES 40X40X15mm

DIMENSIONS DRAWING UNIT : mm



- Frame : Thermoplastic PBT UL94-V0  
外框材質：環保防火PBT
- Impeller : Thermoplastic PBT UL94-V0  
扇葉材質：環保防火PBT
- Bearing : ※Sleeve · ★WRB · ◎Two Ball Bearing  
軸承：※含油 · ★WRB · ◎滾珠軸承
- Unit Weight : 17g  
風扇單體重量：17克
- Screw hole diameter 螺絲孔徑：Ø3.5 or Ø4.3

P&Q Curve At Rated Voltage



Model No.	Bearing Type	Voltage (VDC)	Current (A)	Power (W)	Speed (RPM)	Air Flow (CFM)	Air Flow (m <sup>3</sup> /min)	Air Pressure (mmH <sub>2</sub> O)	Air Pressure (Inch H <sub>2</sub> O)	Noise (dBA)
TRS4015x05D	※★◎	5 (4.0~6.0)	0.14	0.72	5000	4.95	0.14	3.07	0.12	18.6
TRS4015x05L	※★◎	5 (4.0~6.0)	0.19	0.96	6000	5.94	0.17	4.46	0.18	23.3
TRS4015x05M	※★◎	5 (4.0~6.0)	0.24	1.20	7000	6.84	0.19	5.86	0.23	27.3
TRS4015x05H	※★◎	5 (4.0~6.0)	0.32	1.60	8000	7.82	0.22	7.65	0.30	30.8
TRS4015x12L	※★◎	12 (7.0~14.0)	0.06	0.72	6000	5.94	0.17	4.46	0.18	23.3
TRS4015x12M	※★◎	12 (7.0~14.0)	0.08	0.96	7000	6.84	0.19	5.86	0.23	27.3
TRS4015x12H	※★◎	12 (7.0~14.0)	0.10	1.20	8000	7.82	0.22	7.65	0.30	30.8
TRS4015x12VH	※★◎	12 (7.0~14.0)	0.12	1.44	9000	8.80	0.25	9.69	0.38	33.9
TRS4015x24M	※★◎	24 (15.0~27.0)	0.04	0.96	7000	6.84	0.19	5.86	0.23	27.3
TRS4015x24H	※★◎	24 (15.0~27.0)	0.05	1.20	8000	7.82	0.22	7.65	0.30	30.8
TRS4015x24VH	※★◎	24 (15.0~27.0)	0.06	1.44	9000	8.80	0.25	9.69	0.38	33.9

⊗ Bearing System ※ : Sleeve ★ : WRB ◎ : Ball

★如果您需要的轉速或電壓或功能不在這份清單上，請與我們業務聯繫 Please contact us, if the SPEC you need is not in the list.