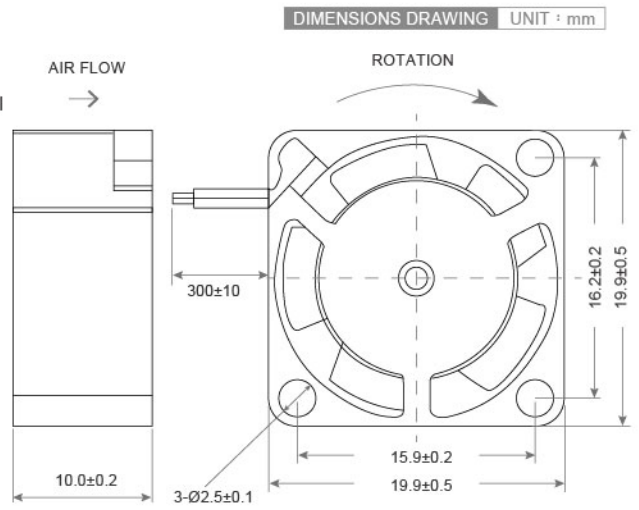
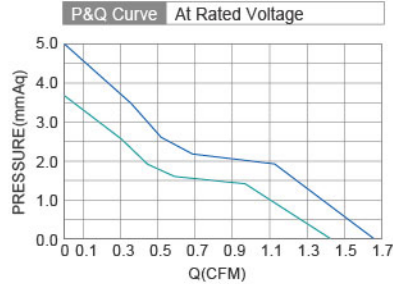




# DC AXIAL FAN TRS2010 SERIES 20X20X10mm



- Frame : Thermoplastic PBT UL94-V0  
外框材質：環保防火PBT
- Impeller : Thermoplastic PBT UL94-V0  
扇葉材質：環保防火PBT
- Bearing : ※ Sleeve ★ WRB ◎ Two Ball  
軸承：※含油 ★WRB ◎滾珠軸承
- Unit Weight : 6.0g  
風扇單體重量：6.0克



Model No.	Bearing Type	Voltage (VDC)	Current (A)	Power (W)	Speed (RPM)	Air Flow (CFM)	Air Flow (m³/min)	Air Pressure (mmH <sub>2</sub> O)	Air Pressure (Inch H <sub>2</sub> O)	Noise (dBA)
TRS2010x05L	※★◎	5 (4.0~5.5)	0.06	0.30	10000	1.18	0.03	2.55	0.10	22.0
TRS2010x05M	※★◎	5 (4.0~5.5)	0.09	0.45	12000	1.42	0.04	3.67	0.14	23.0
TRS2010x05H	※★◎	5 (4.0~5.5)	0.13	0.65	14000	1.66	0.05	5.00	0.20	23.2

⊗ Bearing System ※ : Sleeve ★ : WRB ◎ : Ball

★如果您需要的轉速或電壓或功能不在這份清單上，請與我們業務聯繫 Please contact us, if the SPEC you need is not in the list.

★產品詳細數據及功能請參閱承認書 Please see the approval sheet for more information . ★產品規格變更不另行通知 Specifications are subject to change without notice.