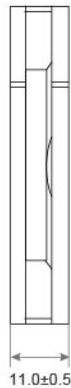


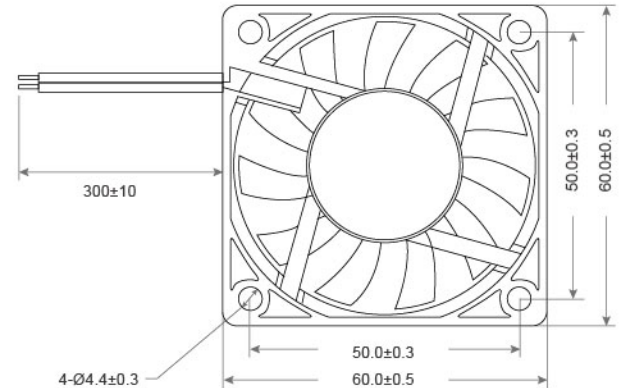
# DC AXIAL FAN TRS6010 SERIES 60X60X10mm



AIR FLOW →

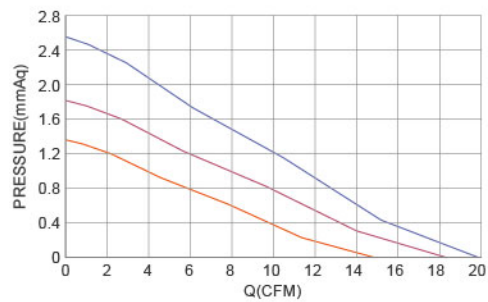


ROTATION ↻



- Frame : Thermoplastic PBT UL94-V0  
外框材質：環保防火PBT
- Impeller : Thermoplastic PBT UL94-V0  
扇葉材質：環保防火PBT
- Bearing : ※Sleeve · ★WRB · ◎Two Ball Bearing  
軸承：※含油 · ★WRB · ◎滾珠軸承
- Unit Weight : 26g  
風扇單體重量：26克

P&Q Curve At Rated Voltage



Model No.	Bearing Type	Voltage (VDC)	Current (A)	Power (W)	Speed (RPM)	Air Flow (CFM)	Air Flow (m <sup>3</sup> /min)	Air Pressure (mmH <sub>2</sub> O)	Air Pressure (Inch H <sub>2</sub> O)	Noise (dBA)
TRS6010x05L	※★◎	5 (4.0~5.5)	0.15	0.75	2500	12.35	0.35	1.01	0.04	21.6
TRS6010x05M	※★◎	5 (4.0~5.5)	0.27	1.35	3000	14.82	0.42	1.45	0.06	24.0
TRS6010x05H	※★◎	5 (4.0~5.5)	0.34	1.70	3500	18.23	0.52	1.82	0.07	26.7
TRS6010x12L	※★◎	12 (7.0~14.0)	0.06	0.72	2500	12.35	0.35	1.01	0.04	21.6
TRS6010x12M	※★◎	12 (7.0~14.0)	0.08	0.90	3000	14.82	0.42	1.45	0.06	24.0
TRS6010x12H	※★◎	12 (7.0~14.0)	0.09	1.08	3500	18.23	0.52	1.82	0.07	26.7
TRS6010x12VH	※★◎	12 (7.0~14.0)	0.11	1.32	4000	19.76	0.56	2.58	0.10	29.2
TRS6010x24M	※★◎	24 (15.0~27.0)	0.04	0.09	3000	15.31	0.43	1.55	0.06	24.0
TRS6010x24H	※★◎	24 (15.0~27.0)	0.05	1.08	3500	17.80	0.50	2.10	0.08	26.7
TRS6010x24VH	※★◎	24 (15.0~27.0)	0.06	1.32	4000	19.76	0.56	2.58	0.10	29.2

Screw Holes :



⊗ Bearing System ※ : Sleeve ★ : WRB ◎ : Ball

★如果您需要的轉速或電壓或功能不在這份清單上，請與我們業務聯繫 Please contact us, if the SPEC you need is not in the list.