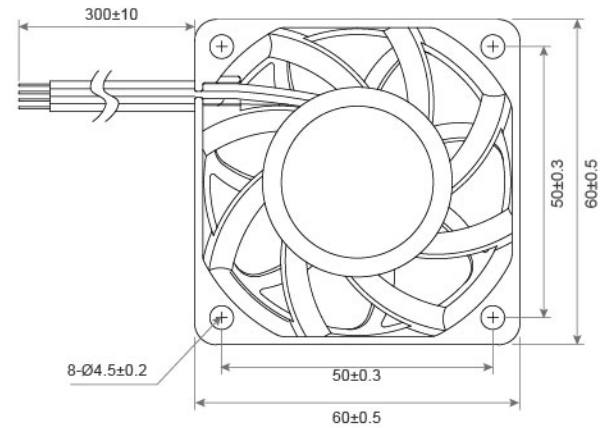
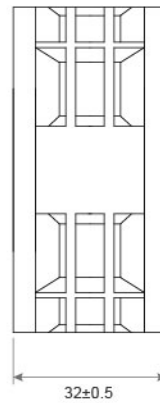
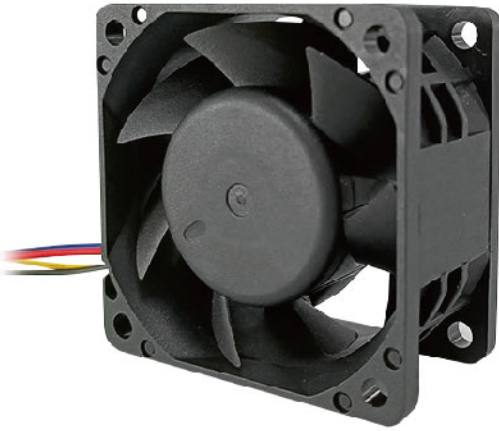


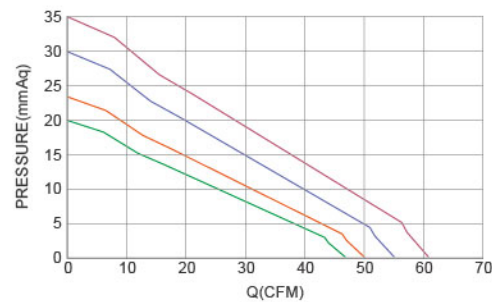
# DC AXIAL FAN TRS6032 U SERIES 60X60X32mm

DIMENSIONS DRAWING UNIT : mm



- Frame : Thermoplastic PBT UL94-V0  
外框材質：環保防火PBT
- Impeller : Thermoplastic PBT UL94-V0  
扇葉材質：環保防火PBT
- Bearing : ※ Sleeve · ★ WRB · ◎ Two Ball Bearing  
軸承：※ 含油 · ★ WRB · ◎ 滾珠軸承
- Unit Weight : 96.5g  
風扇單體重量：96.5克

P&Q Curve At Rated Voltage



Model No.	Bearing Type	Voltage (VDC)	Current (A)	Power (W)	Speed (RPM)	Air Flow (CFM)	Air Flow (m <sup>3</sup> /min)	Air Pressure (mmH <sub>2</sub> O)	Air Pressure (Inch H <sub>2</sub> O)	Noise (dBA)
TRS6032x12D	※★◎	12(7.0~13.5)	0.51	6.16	7000	40.2	1.14	15.7	2.11	53.5
TRS6032x12L	※★◎	12(7.0~13.5)	0.68	8.10	8000	45.9	1.30	20.1	2.13	54.1
TRS6032x12M	※★◎	12(7.0~13.5)	0.94	11.28	9000	49.5	1.40	23.4	2.20	55.9
TRS6032x12H	※★◎	12(7.0~13.5)	1.26	15.12	10000	55.2	1.56	29.3	2.47	62.6
TRS6032x12VH	※★◎	12(7.0~13.5)	1.60	19.20	11000	60.3	1.71	35.0	2.68	68.0
TRS6032x24D	※★◎	24(18.0~26.5)	0.26	6.16	7000	40.2	1.14	15.7	2.11	53.5
TRS6032x24L	※★◎	24(18.0~26.5)	0.34	8.10	8000	45.9	1.30	20.1	2.13	54.1
TRS6032x24M	※★◎	24(18.0~26.5)	0.47	11.28	9000	49.5	1.40	23.4	2.20	55.9
TRS6032x24H	※★◎	24(18.0~26.5)	0.63	15.12	10000	55.2	1.56	29.3	2.47	62.6
TRS6032x24VH	※★◎	24(18.0~26.5)	0.80	19.20	11000	60.3	1.71	35.0	2.68	68.0
TRS6032x48D	※★◎	48(36.0~54.0)	0.13	6.16	7000	40.2	1.14	15.7	2.11	53.5
TRS6032x48L	※★◎	48(36.0~54.0)	0.17	8.10	8000	45.9	1.30	20.1	2.13	54.1
TRS6032x48M	※★◎	48(36.0~54.0)	0.24	11.28	9000	49.5	1.40	23.4	2.20	55.9
TRS6032x48H	※★◎	48(36.0~54.0)	0.32	15.12	10000	55.2	1.56	29.3	2.47	62.6
TRS6032x48VH	※★◎	48(36.0~54.0)	0.40	19.20	11000	60.3	1.71	35.0	2.68	68.0

◎ Bearing System ※ : Sleeve ★ : WRB ◎ : Ball

★如果您需要的轉速或電壓或功能不在這份清單上，請與我們業務聯繫 Please contact us, if the SPEC you need is not in the list.