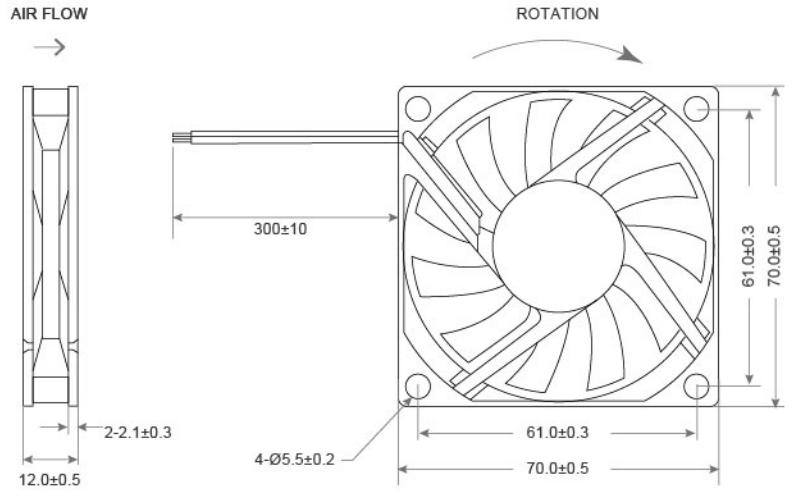


# DC AXIAL FAN TRS7010 SERIES 70X70X10mm

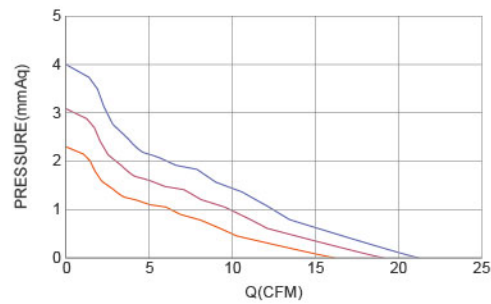


DIMENSIONS DRAWING UNIT : mm



- Frame : Thermoplastic PBT UL94-V0  
外框材質：環保防火PBT
- Impeller : Thermoplastic PBT UL94-V0  
扇葉材質：環保防火PBT
- Bearing : ※Sleeve · ★WRB · ◎Two Ball Bearing  
軸承：※含油 · ★WRB · ◎滾珠軸承
- Unit Weight : 42g  
風扇單體重量：42克

P&Q Curve At Rated Voltage



Model No.	Bearing Type	Voltage (VDC)	Current (A)	Power (W)	Speed (RPM)	Air Flow (CFM)	Air Flow (m <sup>3</sup> /min)	Air Pressure (mmH <sub>2</sub> O)	Air Pressure (Inch H <sub>2</sub> O)	Noise (dBA)
TRS7010x05D	※★◎	5 (4.0~6.0)	0.15	0.75	2500	13.42	0.38	1.56	0.06	24.40
TRS7010x05L	※★◎	5 (4.0~6.0)	0.24	1.20	3000	16.11	0.46	2.24	0.09	29.90
TRS7010x12D	※★◎	12 (7.0~14.0)	0.06	0.72	2500	13.42	0.38	1.56	0.06	24.40
TRS7010x12L	※★◎	12 (7.0~14.0)	0.10	1.20	3000	16.11	0.46	2.24	0.09	29.90
TRS7010x12M	※★◎	12 (7.0~14.0)	0.16	1.92	3500	18.79	0.53	3.05	0.12	33.00
TRS7010x12H	※★◎	12 (7.0~14.0)	0.24	2.88	4000	21.48	0.61	3.99	0.16	36.20
TRS7010x24M	※★◎	24 (15.0~27.0)	0.05	1.20	3000	16.11	0.46	2.24	0.09	29.90
TRS7010x24H	※★◎	24 (15.0~27.0)	0.08	1.92	3500	18.79	0.53	3.05	0.12	33.00
TRS7010x24VH	※★◎	24 (15.0~27.0)	0.14	3.36	4000	21.48	0.61	3.99	0.16	36.20

◎ Bearing System ※ : Sleeve ★ : WRB ◎ : Ball

★如果您需要的轉速或電壓或功能不在這份清單上，請與我們業務聯繫 Please contact us, if the SPEC you need is not in the list.