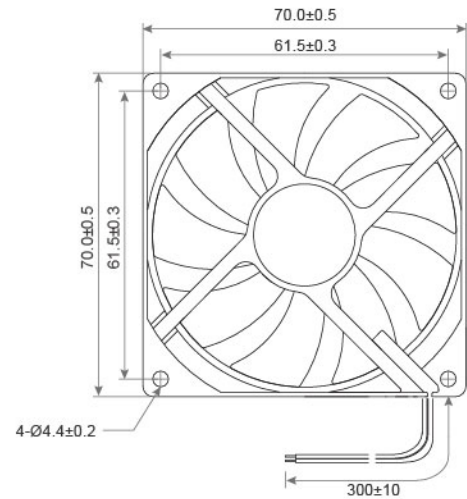
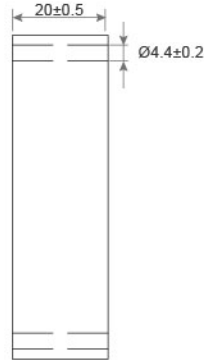


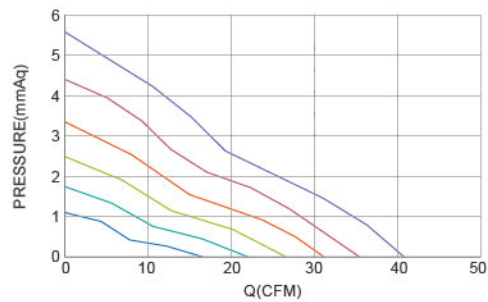
# DC AXIAL FAN TRS7020 U SERIES 70X70X20mm

DIMENSIONS DRAWING UNIT : mm



- Frame : Thermoplastic PBT UL94-V0  
外框材質：環保防火PBT
- Impeller : Thermoplastic PBT UL94-V0  
扇葉材質：環保防火PBT
- Bearing : ※ Sleeve · ★ WRB · ◎ Two Ball Bearing  
軸承：※含油 · ★WRB · ◎滾珠軸承
- Unit Weight : 60g  
風扇單體重量：60克

P&Q Curve At Rated Voltage



Model No.	Bearing Type	Voltage (VDC)	Current (A)	Power (W)	Speed (RPM)	Air Flow		Air Pressure		Noise (dBA)
						(CFM)	(m <sup>3</sup> /min)	(mmH <sub>2</sub> O)	(Inch H <sub>2</sub> O)	
TRS7020x12D	※◎★	12(7.0~13.5)	0.10	1.20	2000	16.6	0.47	1.07	0.04	24.2
TRS7020x12L	※◎★	12(7.0~13.5)	0.18	2.16	2500	21.8	0.62	1.78	0.07	25.8
TRS7020x12M	※◎★	12(7.0~13.5)	0.27	3.24	3000	26.0	0.74	2.44	0.01	30.4
TRS7020x12H	※◎★	12(7.0~13.5)	0.35	4.20	3500	31.1	0.88	3.33	0.13	34.6
TRS7020x12VH	※◎★	12(7.0~13.5)	0.42	5.04	4000	35.3	1.00	4.41	0.17	38.3
TRS7020x12SH	※◎★	12(7.0~13.5)	0.48	5.76	4500	40.4	1.14	5.69	0.22	42.2
TRS7020x24D	※◎★	24(18.0~26.5)	0.05	1.20	2000	16.6	0.47	1.07	0.04	24.2
TRS7020x24L	※◎★	24(18.0~26.5)	0.09	2.16	2500	21.8	0.62	1.78	0.07	25.8
TRS7020x24M	※◎★	24(18.0~26.5)	0.14	3.24	3000	26.0	0.74	2.44	0.01	30.4
TRS7020x24H	※◎★	24(18.0~26.5)	0.18	4.20	3500	31.1	0.88	3.33	0.13	34.6
TRS7020x24VH	※◎★	24(18.0~26.5)	0.21	5.04	4000	35.3	1.00	4.41	0.17	38.3
TRS7020x24SH	※◎★	24(18.0~26.5)	0.24	5.76	4500	40.4	1.14	5.69	0.22	42.2

◎ Bearing System ※ : Sleeve ★ : WRB ◎ : Ball

★如果您需要的轉速或電壓或功能不在這份清單上，請與我們業務聯繫 Please contact us, if the SPEC you need is not in the list.