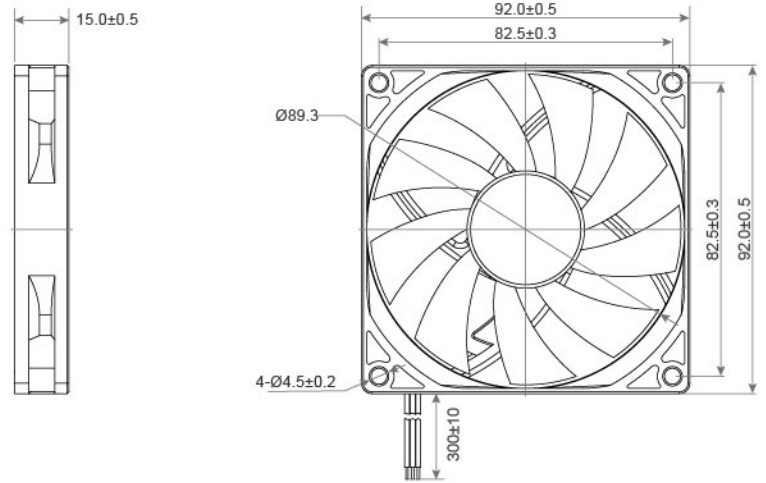


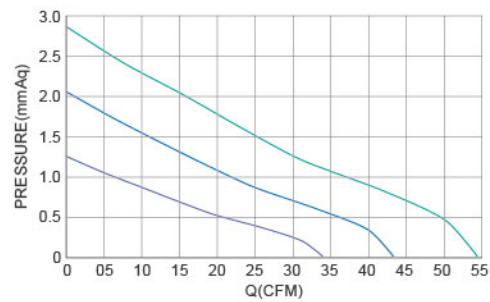
DC AXIAL FAN SRL9215 SERIES 92X92X15mm

DIMENSIONS DRAWING UNIT : mm



- Frame : PBT+GF30%
外框材質：聚對苯二甲酸丁二酯+玻纖30%
- Impeller : PBT+GF30%
扇葉材質：聚對苯二甲酸丁二酯+玻纖30%
- Bearing : ※ Sleeve · ★ WRB · ◎ Two Ball Bearing
軸承：※ 含油 · ★ WRB · ◎ 滾珠軸承
- Unit Weight : 60.8g
風扇單體重量：60.8克

P&Q Curve At Rated Voltage



Model No.	Bearing Type	Voltage (VDC)	Current (A)	Power (W)	Speed (RPM)	Air Flow (CFM)	Air Flow (m ³ /min)	Air Pressure (mmH ₂ O)	Air Pressure (Inch H ₂ O)	Noise (dBA)
SRLx0921512LB-3M	※★◎	12(4.0~13.8)	0.20	2.40	2000	34.09	0.96	1.29	0.05	23.0
SRLx0921512MB-3M	※★◎	12(3.5~13.8)	0.23	2.76	2500	43.53	1.23	2.08	0.08	29.4
SRLx0921512HB-3M	※★◎	12(3.5~13.8)	0.45	5.40	3000	54.65	1.55	2.91	0.11	36.5

⊗ Bearing System ※ : Sleeve ★ : WRB ◎ : Ball

★如果您需要的轉速或電壓或功能不在這份清單上，請與我們業務聯繫 Please contact us, if the SPEC you need is not in the list.