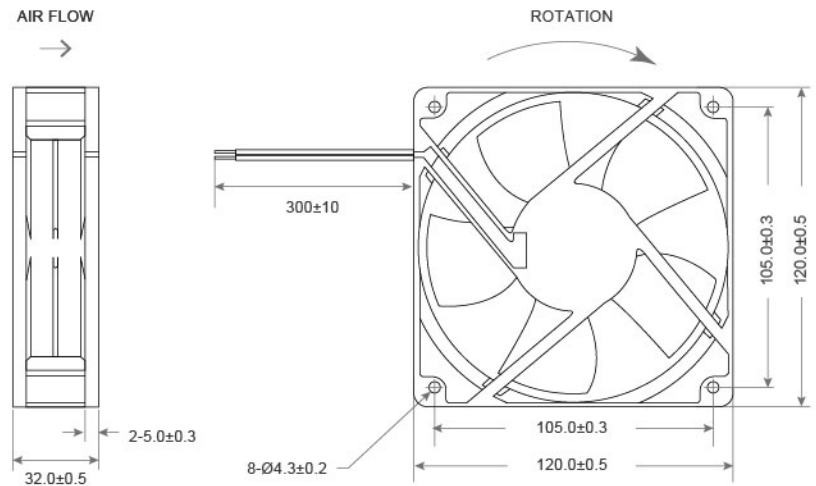
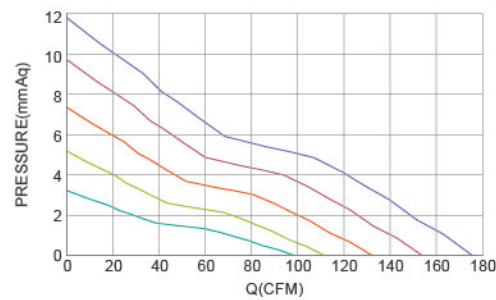


DIMENSIONS DRAWING UNIT : mm



- Frame : Thermoplastic PBT UL94-V0
外框材質：環保防火PBT
- Impeller : Thermoplastic PBT UL94-V0
扇葉材質：環保防火PBT
- Bearing : ※Sleeve · ★WRB · ◎Two Ball Bearing
軸承：※含油 · ★WRB · ◎滾珠軸承
- Unit Weight : 220g
風扇單體重量：220克

P&Q Curve At Rated Voltage



Model No.	Bearing Type	Voltage (VDC)	Current (A)	Power (W)	Speed (RPM)	Air Flow (CFM)	Air Flow (m ³ /min)	Air Pressure (mmH ₂ O)	Air Pressure (Inch H ₂ O)	Noise (dBA)
TRS1232x12D	※★◎	12 (7.0~14.0)	0.14	1.68	2000	89.28	2.53	3.36	0.13	37.0
TRS1232x12L	※★◎	12 (7.0~14.0)	0.32	3.84	2500	110.54	3.13	5.15	0.20	42.6
TRS1232x12M	※★◎	12 (7.0~14.0)	0.76	9.12	3000	131.80	3.73	7.32	0.29	48.1
TRS1232x12H	※★◎	12 (7.0~14.0)	0.90	10.80	3500	153.06	4.33	9.88	0.39	51.0
TRS1232x12VH	※★◎	12 (7.0~14.0)	1.02	12.24	4000	174.32	4.93	11.81	0.46	54.5
TRS1232x24D	※★◎	24 (15.0~27.0)	0.07	1.68	2000	89.28	2.53	3.36	0.13	37.0
TRS1232x24L	※★◎	24 (15.0~27.0)	0.16	3.84	2500	110.54	3.13	5.15	0.20	42.6
TRS1232x24M	※★◎	24 (15.0~27.0)	0.38	9.12	3000	131.80	3.73	7.32	0.29	48.1
TRS1232x24H	※★◎	24 (15.0~27.0)	0.45	10.80	3500	153.06	4.33	9.88	0.39	51.0
TRS1232x24VH	※★◎	24 (15.0~27.0)	0.50	12.00	4000	174.32	4.93	11.81	0.46	54.5
TRS1232x48D	※★◎	48 (35.0~57.0)	0.03	1.44	2000	89.28	2.53	3.36	0.13	37.0
TRS1232x48L	※★◎	48 (35.0~57.0)	0.08	3.84	2500	110.54	3.13	5.15	0.20	42.6
TRS1232x48M	※★◎	48 (35.0~57.0)	0.19	9.12	3000	131.80	3.73	7.32	0.29	48.1
TRS1232x48H	※★◎	48 (35.0~57.0)	0.22	10.56	3500	153.06	4.33	9.88	0.39	51.0
TRS1232x48VH	※★◎	48 (35.0~57.0)	0.25	12.00	4000	174.32	4.93	11.81	0.46	54.5

◎ Bearing System ※ : Sleeve ★ : WRB ◎ : Ball

★如果您需要的轉速或電壓或功能不在這份清單上，請與我們業務聯繫 Please contact us, if the SPEC you need is not in the list.