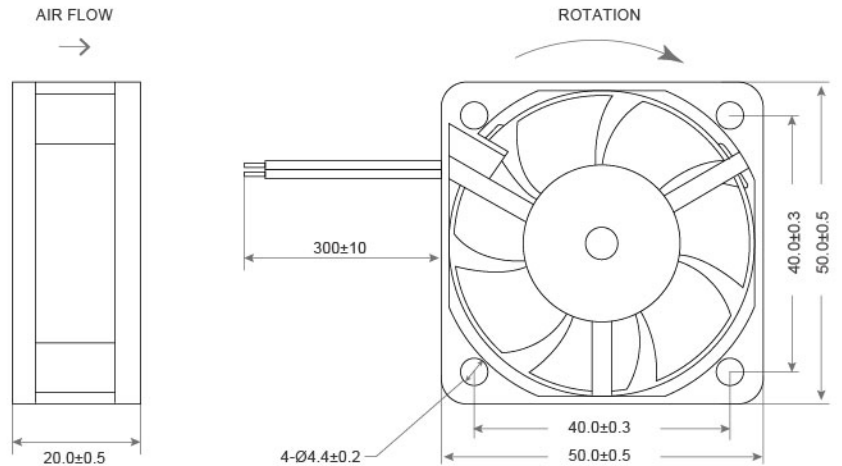


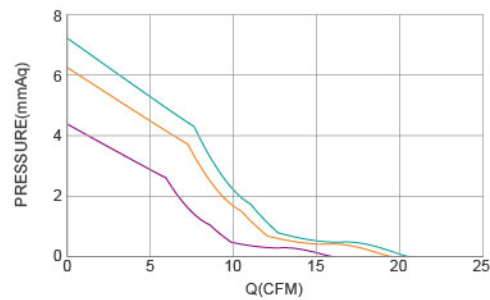
DC AXIAL FAN TRS5020 SERIES 50X50X20mm

DIMENSIONS DRAWING UNIT : mm



- Frame : Thermoplastic PBT UL94-V0
外框材質：環保防火PBT
- Impeller : Thermoplastic PBT UL94-V0
扇葉材質：環保防火PBT
- Bearing : ※ Sleeve · ★ WRB · ◎ Two Ball Bearing
軸承：※ 含油 · ★ WRB · ◎ 滾珠軸承
- Unit Weight : 32g
風扇單體重量：32克

P&Q Curve At Rated Voltage



Model No.	Bearing Type	Voltage (VDC)	Current (A)	Power (W)	Speed (RPM)	Air Flow (CFM)	Air Flow (m ³ /min)	Air Pressure (mmH ₂ O)	Air Pressure (Inch H ₂ O)	Noise (dBA)
TRS5020x05L	※ ★ ◎	5 (4.0~5.5)	0.16	0.80	3200	10.04	0.28	1.63	0.06	25.0
TRS5020x05M	※ ★ ◎	5 (4.0~5.5)	0.32	1.60	4200	13.17	0.37	2.80	0.11	28.8
TRS5020x05SH	※ ◎	5 (4.0~5.5)	0.67	3.36	7000	20.53	0.58	7.26	0.29	41.0
TRS5020x12L	※ ★ ◎	12 (7.0~14.0)	0.06	0.72	3200	10.04	0.28	1.63	0.06	25.0
TRS5020x12M	※ ★ ◎	12 (7.0~14.0)	0.14	1.68	4200	13.17	0.37	2.80	0.11	28.8
TRS5020x12H	※ ★ ◎	12 (7.0~14.0)	0.18	2.16	5200	16.31	0.46	4.29	0.17	33.2
TRS5020x12VH	※ ★ ◎	12 (7.0~14.0)	0.22	2.64	6200	19.44	0.55	6.10	0.24	37.5
TRS5020x12SH	※ ◎	12 (7.0~14.0)	0.28	3.36	7000	20.53	0.58	7.26	0.29	41.0
TRS5020x24H	※ ★ ◎	24 (15.0~27.0)	0.09	2.16	5200	16.31	0.46	4.29	0.17	33.2
TRS5020x24VH	※ ★ ◎	24 (15.0~27.0)	0.11	2.64	6200	19.44	0.55	6.10	0.24	37.5
TRS5020x24SH	※ ◎	24 (15.0~27.0)	0.14	3.36	7000	20.53	0.58	7.26	0.29	41.0

⊗ Bearing System ※ : Sleeve ★ : WRB ◎ : Ball

★如果您需要的轉速或電壓或功能不在這份清單上，請與我們業務聯繫 Please contact us, if the SPEC you need is not in the list.