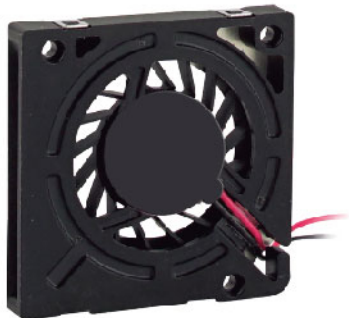
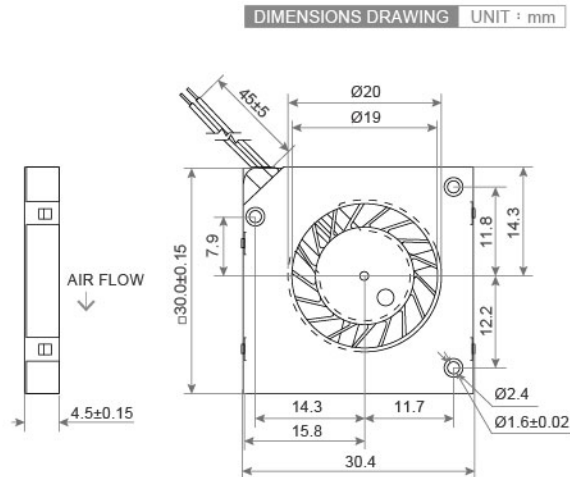
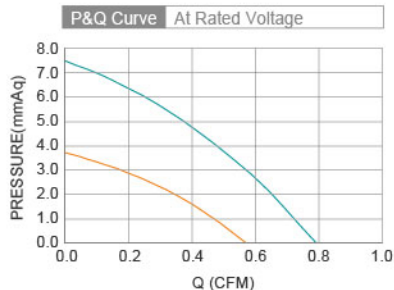




DC Blower Fan SFB3004 SERIES 30X30X04mm



- Frame : Thermoplastic PBT UL94-V0
外框材質：環保防火PBT
- Impeller : Thermoplastic PBT UL94-V0
扇葉材質：環保防火PBT
- Bearing : ★WRB Bearing
軸承：★WRB軸承
- Unit Weight : 4.8g
風扇單體重量：4.8克



Model No.	Bearing Type	Voltage (VDC)	Current (A)	Power (W)	Speed (RPM)	Air Flow (CFM)	Air Flow (m ³ /min)	Air Pressure (mmH ₂ O)	Air Pressure (Inch H ₂ O)	Noise (dBA)
SFB3004-3	★	3.3(2.8~3.6)	0.040	0.13	6000	0.57	0.016	3.71	0.146	17.2
SFB3004-5	★	5.0(4.5~5.5)	0.057	0.29	8500	0.79	0.022	7.48	0.295	25.7
SFB3004H	★	5.0(2.8~5.5)	0.120	0.60	11000	1.04	0.029	14.45	0.569	32.7

⊗ Bearing System ※ : Sleeve ★ : WRB Bearing ⊙ : Ball

★如果您需要的轉速或電壓或功能不在這份清單上，請與我們業務聯繫 Please contact us, if the SPEC you need is not in the list.

★產品詳細數據及功能請參閱承認書 Please see the approval sheet for more information . ★產品規格變更不另行通知 Specifications are subject to change without notice.