

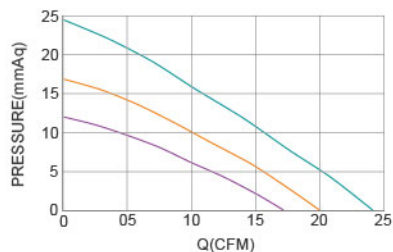


## DC Blower Fan TRB10125 G SERIES 101X107X25mm

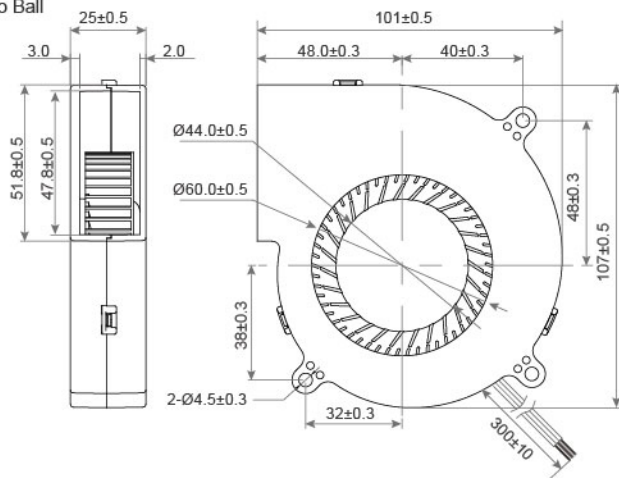
- Material : Thermoplastic PBT UL94-V0  
材質：環保防火PBT
- Bearing : ※ Sleeve · ★ WRB · ◎ Two Ball  
軸承：※含油 · ★WRB · ◎滾珠軸承
- Unit Weight : 136g  
風扇單體重量：136克



P&Q Curve At Rated Voltage



DIMENSIONS DRAWING UNIT : mm



Model No.	Bearing Type	Voltage (VDC)	Current (A)	Power (W)	Speed (RPM)	Air Flow (CFM)	Air Flow (m <sup>3</sup> /min)	Air Pressure (mmH <sub>2</sub> O)	Air Pressure (Inch H <sub>2</sub> O)	Noise (dBA)
TRB10125x12L	※★◎	12 (6.0~13.8)	0.40	4.80	2400	17.15	0.49	12.09	0.47	44.8
TRB10125x12M	※★◎	12 (6.0~13.8)	0.60	6.00	2800	19.95	0.56	16.87	0.66	46.0
TRB10125x12H	※★◎	12 (6.0~13.8)	0.65	7.80	3300	24.11	0.68	24.50	0.95	50.0