

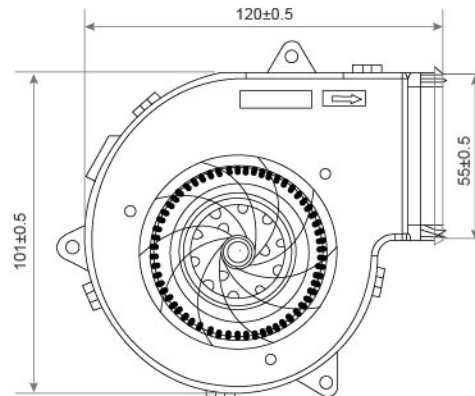
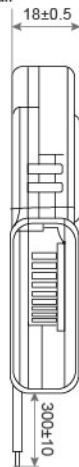
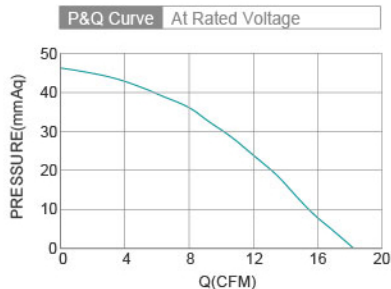


DC Blower Fan

TRB12025 U SERIES 120X120X25mm

- Material : Thermoplastic PBT UL94-V0
材質：環保防火PBT
- Bearing : ※ Sleeve · ★ WRB · ◎ Two Ball
軸承：※含油 · ★WRB · ◎滾珠軸承
- Unit Weight : 128g
風扇單體重量：128克

DIMENSIONS DRAWING UNIT : mm



Model No.	Bearing Type	Voltage (VDC)	Current (A)	Power (W)	Speed (RPM)	Air Flow (CFM)	Air Flow (m ³ /min)	Air Pressure (mmH ₂ O)	Air Pressure (Inch H ₂ O)	Noise (dBA)
TRB12025x05H	※◎★	5 (3.0~6.0)	1.80	9.0	4300	18.2	0.515	48.6	1.91	49.7
TRB12025x12H	※◎★	12 (7.0~13.5)	0.75	9.0	4300	18.2	0.515	48.6	1.91	49.7
TRB12025x24H	※◎★	24 (18.0~26.5)	0.38	9.0	4300	18.2	0.515	48.6	1.91	49.7

⊗ Bearing System ※ : Sleeve ★ : WRB Bearing ◎ : Ball

★如果您需要的轉速或電壓或功能不在這份清單上，請與我們業務聯繫 Please contact us, if the SPEC you need is not in the list.