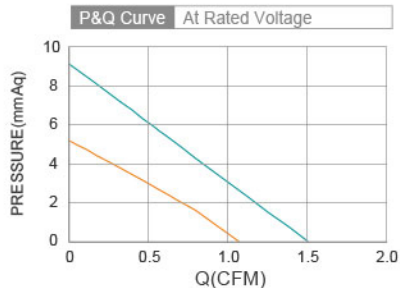


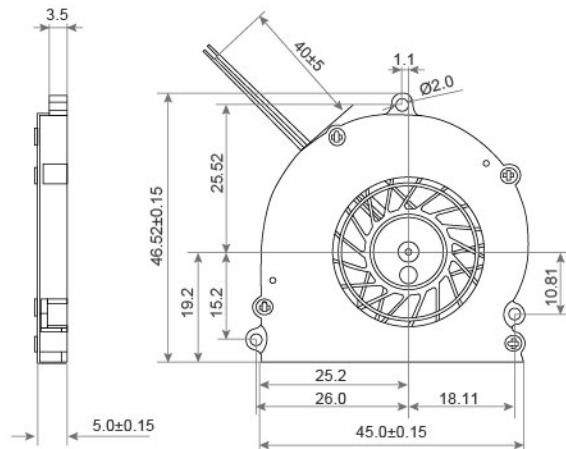
DC Blower Fan SFB4505 SERIES 45X46X05mm



- Frame : Thermoplastic PBT UL94-V0
外框材質：環保防火PBT
- Impeller : Thermoplastic PBT UL94-V0
扇葉材質：環保防火PBT
- Bearing : ★WRB Bearing
軸承：★WRB軸承
- Unit Weight : 7.2g
風扇單體重量：7.2克



DIMENSIONS DRAWING UNIT : mm



Model No.	Bearing Type	Voltage (VDC)	Current (mA)	Power (W)	Speed (RPM)	Air Flow (CFM)	Air Flow (m ³ /min)	Air Pressure (mmH ₂ O)	Air Pressure (Inch H ₂ O)	Noise (dBA)
SFB4505-3	★	3.3(2.8~3.6)	115	0.38	4500	1.15	0.033	5.19	0.204	21.3
SFB4505-5	★	5.0(4.5~5.5)	165	0.83	6000	1.51	0.043	9.08	0.358	28.1