



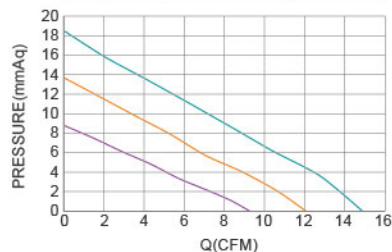
DC Blower Fan

TRB9325 G SERIES 93X93X25mm

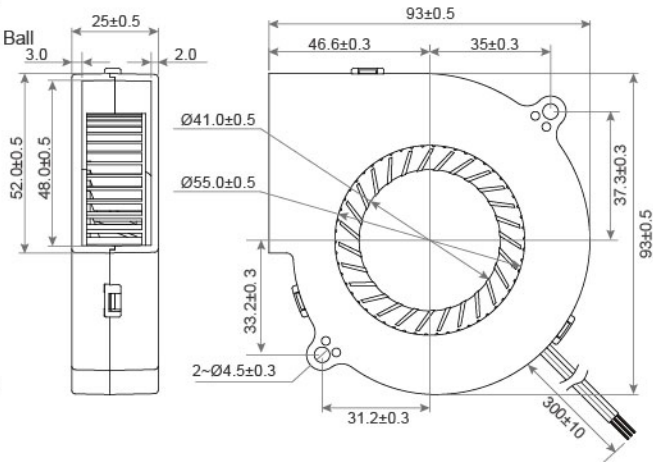


- Frame : Thermoplastic PBT UL94-V0
外框材質：環保防火PBT
- Impeller : Thermoplastic PBT UL94-V0
扇葉材質：環保防火PBT
- Bearing : ※Sleeve · ★WRB · ◎Two Ball
軸承：※含油 · ★WRB · ◎滾珠軸承
- Unit Weight : 121g
風扇單體重量：121克

P&Q Curve At Rated Voltage



DIMENSIONS DRAWING UNIT : mm



Model No.	Bearing Type	Voltage (VDC)	Current (A)	Power (W)	Speed (RPM)	Air Flow (CFM)	Air Flow (m ³ /min)	Air Pressure (mmH ₂ O)	Air Pressure (Inch H ₂ O)	Noise (dBA)
TRB9325x12L	※★◎	12 (6.0~13.8)	0.32	3.84	2000	9.24	0.26	8.85	0.35	35.5
TRB9325x12M	※★◎	12 (6.0~13.8)	0.37	4.44	2500	12.05	0.34	13.71	0.54	41.6
TRB9325x12H	※★◎	12 (6.0~13.8)	0.42	5.04	3000	14.86	0.42	18.56	0.73	48.0