

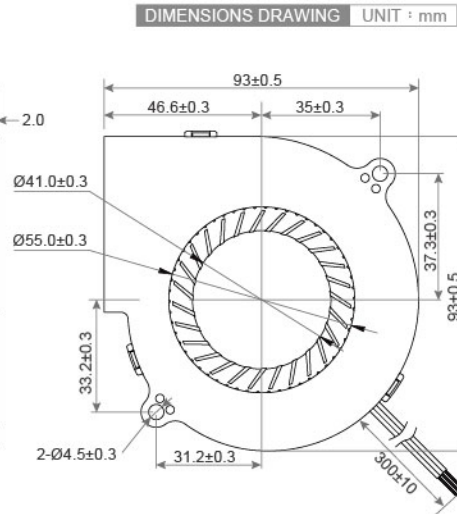
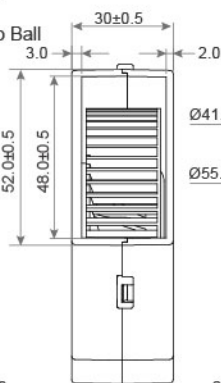
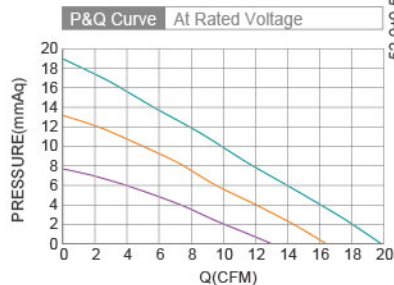


# DC Blower Fan

## TRB9330 G SERIES 93X93X30mm



- Frame : Thermoplastic PBT UL94-V0  
外框材質：環保防火PBT
- Impeller : Thermoplastic PBT UL94-V0  
扇葉材質：環保防火PBT
- Bearing : ※ Sleeve · ★ WRB · ◎ Two Ball  
軸承：※含油 · ★WRB · ◎滾珠軸承
- Unit Weight : 135g  
風扇單體重量：135克



Model No.	Bearing Type	Voltage (VDC)	Current (A)	Power (W)	Speed (RPM)	Air Flow (CFM)	Air Flow (m <sup>3</sup> /min)	Air Pressure (mmH <sub>2</sub> O)	Air Pressure (Inch H <sub>2</sub> O)	Noise (dBA)
TRB9330x12L	※★◎	12 (6.0~13.8)	0.32	3.84	2000	12.98	0.37	7.71	0.30	38.2
TRB9330x12M	※★◎	12 (6.0~13.8)	0.37	4.44	2500	16.43	0.46	13.18	0.52	44.2
TRB9330x12H	※★◎	12 (6.0~13.8)	0.42	5.04	3000	19.86	0.56	18.95	0.75	48.0

⊗ Bearing System ※ : Sleeve ★ : WRB Bearing ◎ : Ball

★如果您需要的轉速或電壓或功能不在這份清單上，請與我們業務聯繫 Please contact us, if the SPEC you need is not in the list.

■ B30 ★產品詳細數據及功能請參閱承認書 Please see the approval sheet for more information . ★產品規格變更不另行通知 Specifications are subject to change without notice. ■ B30