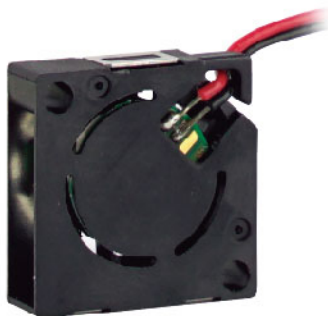
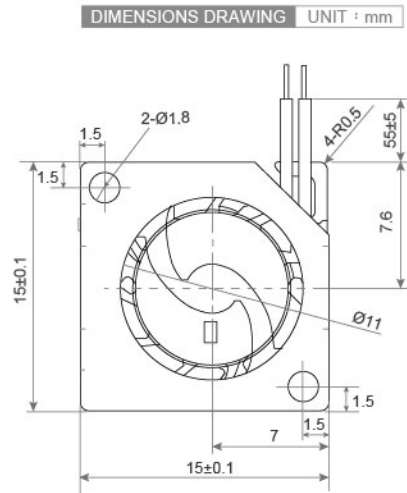
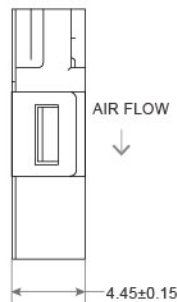
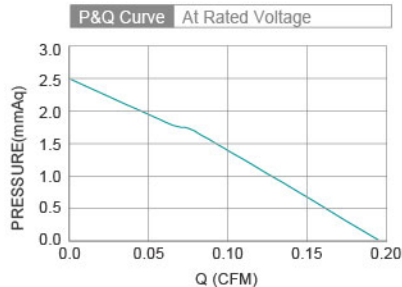




## DC Blower Fan SFB1504 15X15X4mm



- Frame : Thermoplastic PBT UL94-V0  
外框材質：環保防火PBT
- Impeller : Thermoplastic PBT UL94-V0  
扇葉材質：環保防火PBT
- Bearing : ★WRB Bearing  
軸承：★WRB軸承
- Unit Weight : 1.38g  
風扇單體重量：1.38克



Model No.	Bearing Type	Voltage (VDC)	Current (A)	Power (W)	Speed (RPM)	Air Flow (CFM)	Air Flow (m <sup>3</sup> /min)	Air Pressure (mmH <sub>2</sub> O)	Air Pressure (Inch H <sub>2</sub> O)	Noise (dBA)
SFB1504	★	3.3(2.5~3.6)	0.035	0.12	14500	0.19	0.005	2.47	0.097	18.6