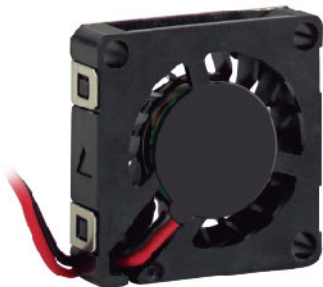




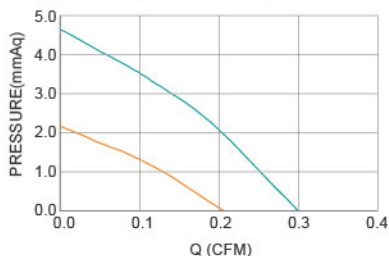
## DC BLOWER FAN

# SFB1804 18X18X4mm

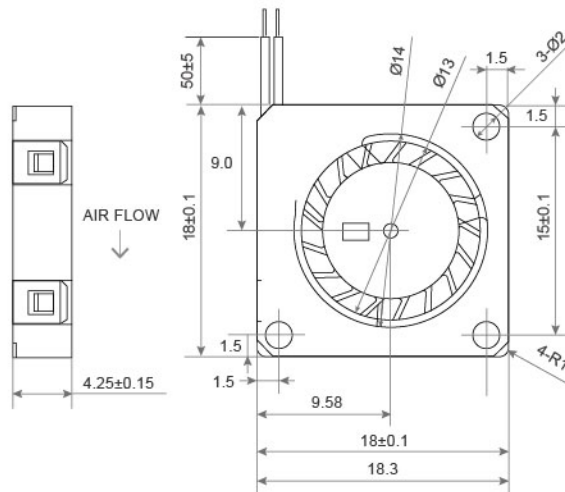


- Frame : Thermoplastic PBT UL94-V0  
外框材質：環保防火PBT
- Impeller : Thermoplastic PBT UL94-V0  
扇葉材質：環保防火PBT
- Bearing : ★WRB Bearing  
軸承：★WRB軸承
- Unit Weight : 1.74g  
風扇單體重量：1.74克

P&Q Curve At Rated Voltage



DIMENSIONS DRAWING UNIT : mm



Model No.	Bearing Type	Voltage (VDC)	Current (A)	Power (W)	Speed (RPM)	Air Flow (CFM)	Air Flow (m <sup>3</sup> /min)	Air Pressure (mmH <sub>2</sub> O)	Air Pressure (Inch H <sub>2</sub> O)	Noise (dBA)
SFB1804-3	★	3.3(2.8~3.6)	0.029	0.01	8000	0.21	0.006	2.17	0.085	14.6
SFB1804-5	★	5.0(4.5~5.5)	0.041	0.21	11000	0.30	0.008	4.66	0.184	17.3

⊗ Bearing System ※ : Sleeve ★ : WRB Bearing ⊙ : Ball

★如果您需要的轉速或電壓或功能不在這份清單上，請與我們業務聯繫 Please contact us, if the SPEC you need is not in the list.

★產品詳細數據及功能請參閱承認書 Please see the approval sheet for more information . ★產品規格變更不另行通知 Specifications are subject to change without notice.