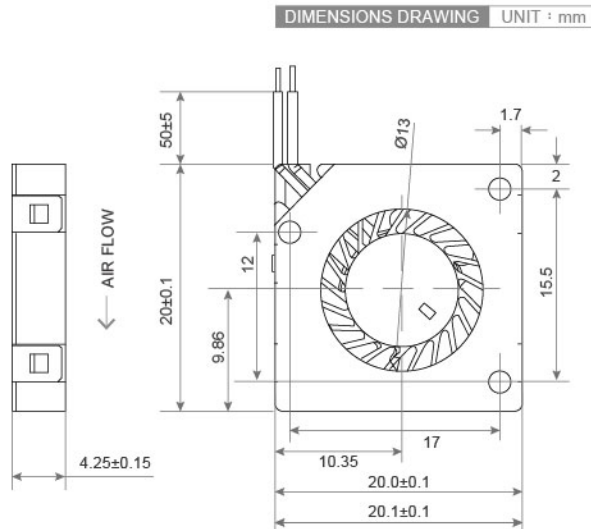
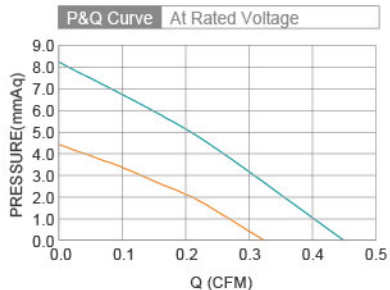




DC Blower Fan SFB2004 20X20X4mm



- Frame : Thermoplastic PBT UL94-V0
外框材質：環保防火PBT
- Impeller : Thermoplastic PBT UL94-V0
扇葉材質：環保防火PBT
- Bearing : ★WRB Bearing
軸承：★WRB軸承
- Unit Weight : 2.1g
風扇單體重量：2.1克



Model No.	Bearing Type	Voltage (VDC)	Current (A)	Power (W)	Speed (RPM)	Air Flow (CFM)	Air Flow (m ³ /min)	Air Pressure (mmH ₂ O)	Air Pressure (Inch H ₂ O)	Noise (dBA)
SFB2004-3	★	3.3(2.5~3.6)	0.037	0.12	10000	0.32	0.009	4.43	0.175	17.5
SFB2004-5	★	5.0(4.5~5.5)	0.057	0.29	13000	0.45	0.013	8.23	0.324	21.5