



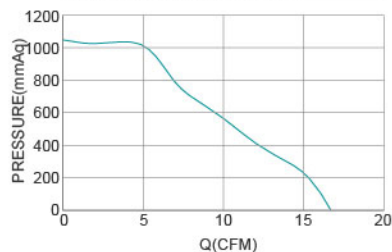
DC High Pressure Micro Blower

SBA7570 SERIES 75X70X90mm

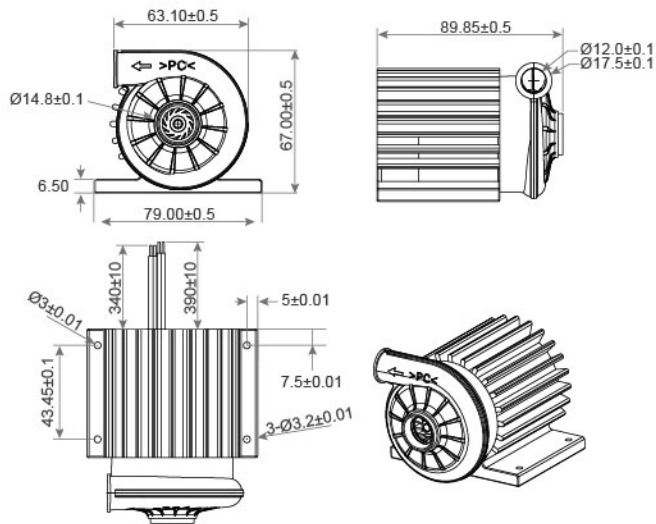
- Frame : Thermoplastic PBT UL94-V0
外框材質：環保防火PBT
- Impeller : Thermoplastic PBT UL94-V0
扇葉材質：環保防火PBT
- Bearing : ◎Two Ball bearing
軸承：◎滾珠軸承



P&Q Curve At Rated Voltage



DIMENSIONS DRAWING UNIT : mm



Model No.	Bearing Type	Voltage (VDC)	Current (A)	Power (W)	Speed (RPM)	Air Flow (CFM)	Air Flow (m ³ /min)	Air Pressure (mmH ₂ O)	Air Pressure (Inch H ₂ O)	Noise (dBA)
SBA7570B24H	◎	24(18.0~26.5)	2.9	69.6	42000	16.73	0.47	1058.75	41.68	75.1