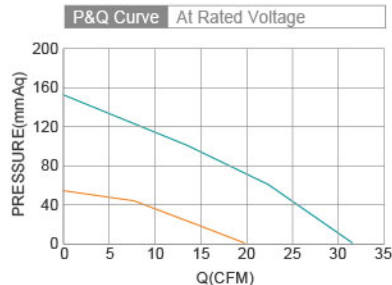
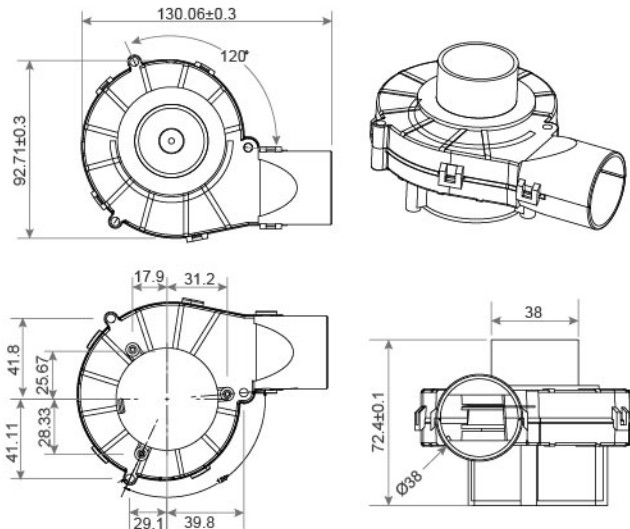


DC High Pressure Micro Blower SBA9725 SERIES 97X25mm

- Frame : Thermoplastic PBT UL94-V0
外框材質：環保防火PBT
- Impeller : Thermoplastic PBT UL94-V0
扇葉材質：環保防火PBT
- Bearing : ◎Two Ball bearing
軸承：◎滾珠軸承



DIMENSIONS DRAWING UNIT : mm



Model No.	Bearing Type	Voltage (VDC)	Current (A)	Power (W)	Speed (RPM)	Air Flow (CFM)	Air Flow (m ³ /min)	Air Pressure (mmH ₂ O)	Air Pressure (Inch H ₂ O)	Noise (dBA)
SBA9725B12H	◎	12(7.5~13.5)	0.60	7.2	9000	19.7	0.56	58.2	2.30	59.9
SBA9725B12VH	◎	12(7.5~13.5)	1.50	18.0	14000	30.9	0.88	153.2	6.03	68.6
SBA9725B24H	◎	24(18.0~26.5)	0.30	7.2	9000	19.7	0.56	58.2	2.30	59.9
SBA9725B24VH	◎	24(18.0~26.5)	0.75	18.0	14000	30.9	0.88	153.2	6.03	68.6

⊗ Bearing System ※ : Sleeve ★ : WRB Bearing ◎ : Ball

★如果您需要的轉速或電壓或功能不在這份清單上，請與我們業務聯繫 Please contact us, if the SPEC you need is not in the list.

■ B45 ★產品詳細數據及功能請參閱承認書 Please see the approval sheet for more information . ★產品規格變更不另行通知 Specifications are subject to change without notice. ■ B45