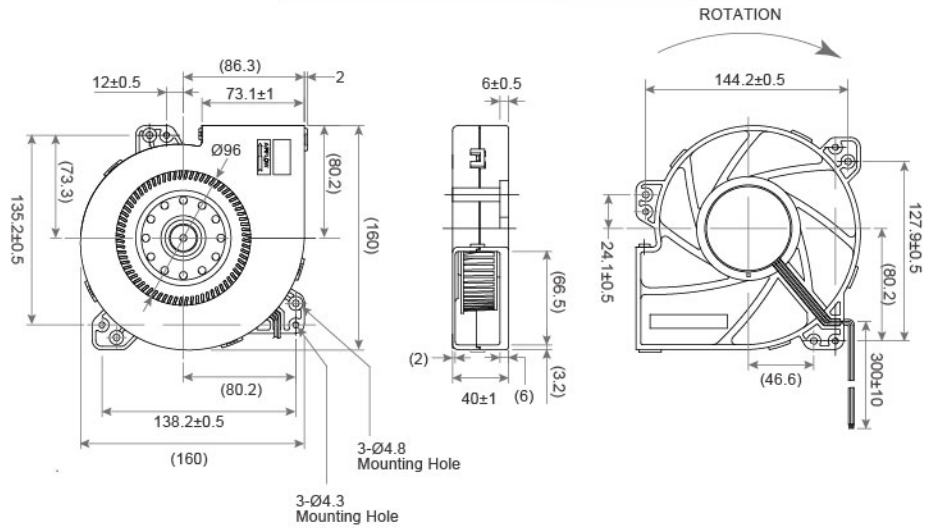
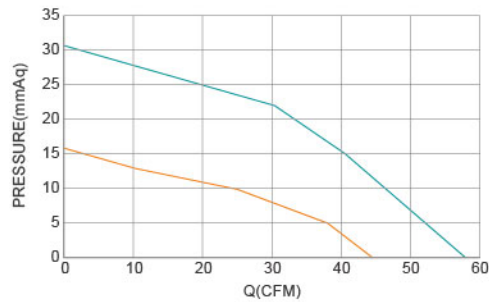


DIMENSIONS DRAWING UNIT : mm



- Frame : Thermoplastic PBT UL94-V0
外框材質：環保防火PBT
- Impeller : Thermoplastic PBT UL94-V0
扇葉材質：環保防火PBT
- Bearing : ※ Sleeve · ★ WRB · ◎ Two Ball bearing
軸承：※含油 · ★WRB · ◎滾珠軸承
- Unit Weight : 580g
風扇單體重量：580克

P&Q Curve At Rated Voltage



Model No.	Bearing Type	Voltage (VDC)	Current (A)	Power (W)	Speed (RPM)	Air Flow		Air Pressure		Noise (dBA)
						(CFM)	(m ³ /min)	(mmH ₂ O)	(Inch H ₂ O)	
TRB16040x12M	※★◎	12 (7.0~13.5)	0.64	7.68	1800	44.5	1.26	15.98	0.63	50.0
TRB16040x12H	※★◎	12 (7.0~13.5)	1.30	15.60	2300	57.2	1.62	31.98	1.26	55.0
TRB16040x24M	※★◎	24 (18.0~26.5)	0.32	7.68	1800	44.5	1.26	15.98	0.63	50.0
TRB16040x24H	※★◎	24 (18.0~26.5)	0.65	15.60	2300	57.2	1.62	31.98	1.26	55.0
TRB16040x48M	※★◎	48 (36.0~54.0)	0.16	7.68	1800	44.5	1.26	15.98	0.63	50.0
TRB16040x48H	※★◎	48 (36.0~54.0)	0.33	15.60	2300	57.2	1.62	31.98	1.26	55.0

⊗ Bearing System ※ : Sleeve ★ : WRB Bearing ◎ : Ball

★如果您需要的轉速或電壓或功能不在這份清單上，請與我們業務聯繫 Please contact us, if the SPEC you need is not in the list.