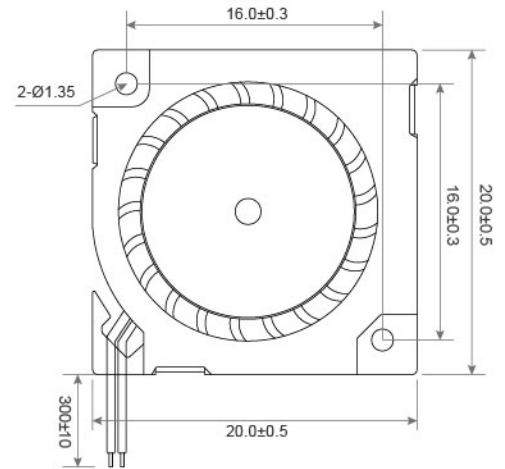
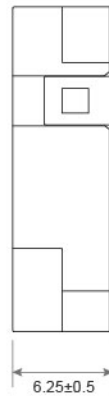


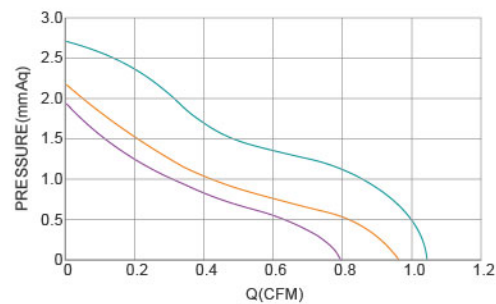
DC Blower Fan TRB2006 U SERIES 20X20X06mm

DIMENSIONS DRAWING UNIT : mm



- Frame : Thermoplastic PBT UL94-V0
外框材質 : 環保防火PBT
- Impeller : Thermoplastic PBT UL94-V0
扇葉材質 : 環保防火PBT
- Bearing : ※Sleeve · ★WRB bearing
軸承 : ※含油 · ★WRB軸承
- Unit Weight : 3.8g
風扇單體重量 : 3.8克

P&Q Curve At Rated Voltage



| Model No. | Bearing Type | Voltage (VDC) | Current (A) | Speed (RPM) | Air Flow (CFM) | Air Flow (m ³ /min) | Air Pressure (mmH ₂ O) | Air Pressure (Inch H ₂ O) | Noise (dBA) |
|-------------|--------------|---------------|-------------|-------------|----------------|--------------------------------|-----------------------------------|--------------------------------------|-------------|
| TRB2006x03L | ※★ | 3 (2.4~3.7) | 0.10 | 8000 | 0.79 | 0.022 | 1.95 | 0.077 | 21.5 |
| TRB2006x03M | ※★ | 3 (2.4~3.7) | 0.15 | 10000 | 0.95 | 0.027 | 2.22 | 0.087 | 25.6 |
| TRB2006x03H | ※★ | 3 (2.4~3.7) | 0.25 | 12000 | 1.12 | 0.032 | 2.69 | 0.106 | 31.2 |
| TRB2006x05L | ※★ | 5 (3.5~7.0) | 0.08 | 8000 | 0.79 | 0.022 | 1.95 | 0.077 | 21.5 |
| TRB2006x05M | ※★ | 5 (3.5~7.0) | 0.12 | 10000 | 0.95 | 0.027 | 2.22 | 0.087 | 25.6 |
| TRB2006x05H | ※★ | 5 (3.5~7.0) | 0.16 | 12000 | 1.12 | 0.032 | 2.69 | 0.106 | 31.2 |
| TRB2006x12L | ※★ | 12 (6.0~14.0) | 0.04 | 8000 | 0.79 | 0.022 | 1.95 | 0.077 | 21.5 |
| TRB2006x12M | ※★ | 12 (6.0~14.0) | 0.06 | 10000 | 0.95 | 0.027 | 2.22 | 0.087 | 25.6 |
| TRB2006x12H | ※★ | 12 (6.0~14.0) | 0.10 | 12000 | 1.12 | 0.032 | 2.69 | 0.106 | 31.2 |

⊗ Bearing System ※ : Sleeve ★ : WRB Bearing © : Ball

★如果您需要的轉速或電壓或功能不在這份清單上，請與我們業務聯繫 Please contact us, if the SPEC you need is not in the list.

★產品詳細數據及功能請參閱承認書 Please see the approval sheet for more information . ★產品規格變更不另行通知 Specifications are subject to change without notice.