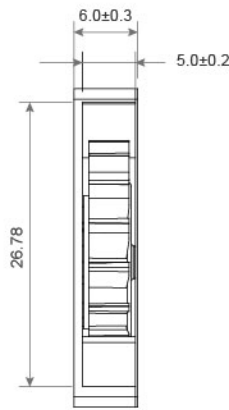
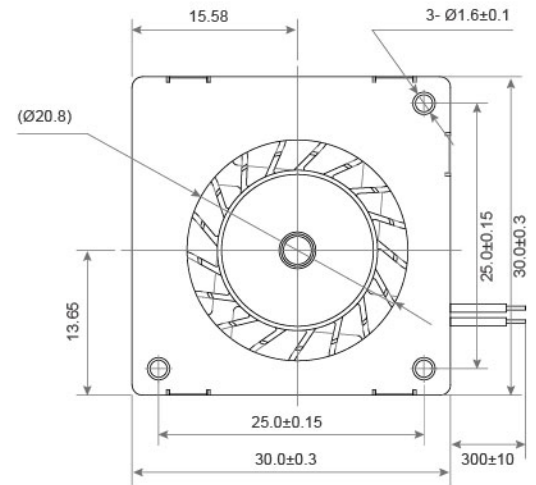


DC Blower Fan TRB3006 G SERIES 30X30X6mm

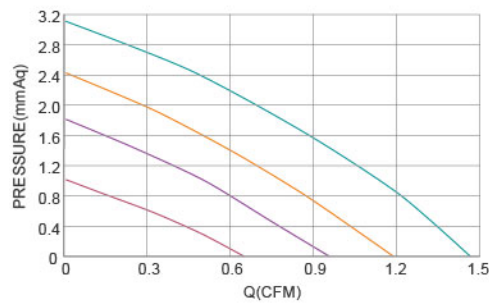


DIMENSIONS DRAWING UNIT : mm



- Frame : Thermoplastic PBT UL94-V0
外框材質：環保防火PBT
- Impeller : Thermoplastic PBT UL94-V0
扇葉材質：環保防火PBT
- Bearing : ※ Sleeve · ★ WRB bearing
軸承：※含油 · ★WRB軸承
- Unit Weight : 3.6g
風扇單體重量：3.6克

P&Q Curve At Rated Voltage



Model No.	Bearing Type	Voltage (VDC)	Current (A)	Power (W)	Speed (RPM)	Air Flow (CFM)	Air Flow (m ³ /min)	Air Pressure (mmH ₂ O)	Air Pressure (Inch H ₂ O)	Noise (dBA)
TRB3006S05L	★※	5(4.0~5.5)	0.15	0.75	4000	0.64	0.02	1.03	0.04	15.2
TRB3006S05M	★※	5(4.0~5.5)	0.20	1.00	6000	0.95	0.03	1.83	0.07	19.0
TRB3006S05H	★※	5(4.0~5.5)	0.30	1.50	8000	1.18	0.03	2.45	0.10	24.5
TRB3006S05VH	★※	5(4.0~5.5)	0.40	2.00	10000	1.46	0.04	3.14	0.12	29.2

⊗ Bearing System ※ : Sleeve ★ : WRB Bearing ◎ : Ball

★如果您需要的轉速或電壓或功能不在這份清單上，請與我們業務聯繫 Please contact us, if the SPEC you need is not in the list.

★產品詳細數據及功能請參閱承認書 Please see the approval sheet for more information . ★產品規格變更不另行通知 Specifications are subject to change without notice.