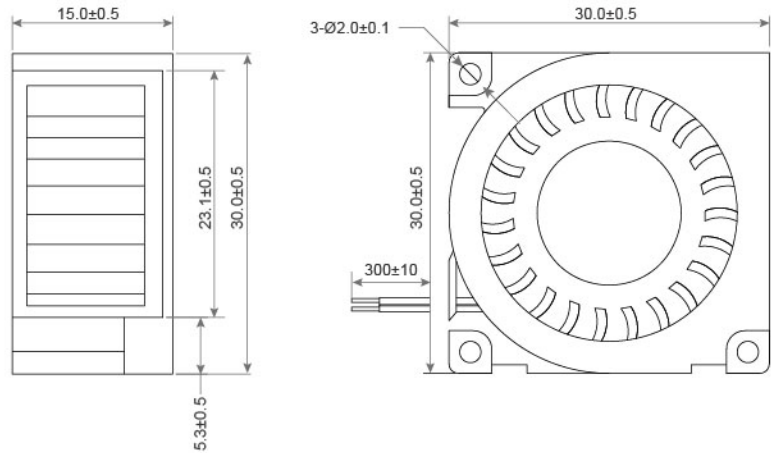
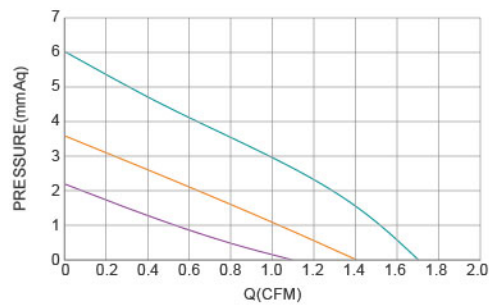


DIMENSIONS DRAWING UNIT : mm



- Frame : Thermoplastic PBT UL94-V0
外框材質：環保防火PBT
- Impeller : Thermoplastic PBT UL94-V0
扇葉材質：環保防火PBT
- Bearing : ※Sleeve · ★WRB · ◎Two Ball bearing
軸承：※含油 · ★WRB · ◎滾珠軸承
- Unit Weight : 10g
風扇單體重量：10克

P&Q Curve At Rated Voltage



Model No.	Bearing Type	Voltage (VDC)	Current (A)	Power (W)	Speed (RPM)	Air Flow		Air Pressure		Noise (dBA)
						(CFM)	(m ³ /min)	(mmH ₂ O)	(Inch H ₂ O)	
TRB3015x05L	◎※★	5(3.6~6.8)	0.10	0.5	4000	1.1	0.03	2.18	0.086	17.9
TRB3015x05M	◎※★	5(3.6~6.8)	0.12	0.6	5000	1.4	0.04	3.66	0.144	21.1
TRB3015x05H	◎※★	5(3.6~6.8)	0.13	0.7	6000	1.7	0.05	6.04	0.238	25.3
TRB3015x12L	◎※★	12(7.0~13.8)	0.04	0.5	4000	1.1	0.03	2.18	0.086	17.9
TRB3015x12M	◎※★	12(7.0~13.8)	0.05	0.6	5000	1.4	0.04	3.66	0.144	21.1
TRB3015x12H	◎※★	12(7.0~13.8)	0.05	0.7	6000	1.7	0.05	6.04	0.238	25.3

◎ Bearing System ※ : Sleeve ★ : WRB Bearing ◎ : Ball

★如果您需要的轉速或電壓或功能不在這份清單上，請與我們業務聯繫 Please contact us, if the SPEC you need is not in the list.

★產品詳細數據及功能請參閱承認書 Please see the approval sheet for more information . ★產品規格變更不另行通知 Specifications are subject to change without notice.