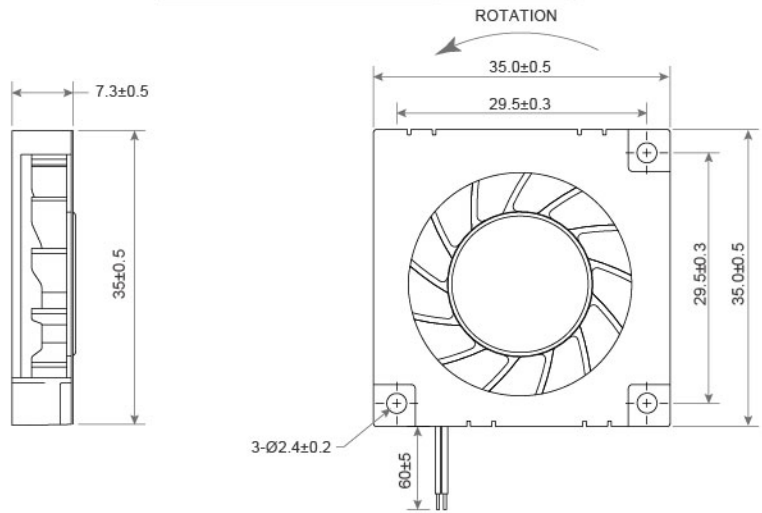


# DC Blower Fan TRB3507 U SERIES 35X35X7mm

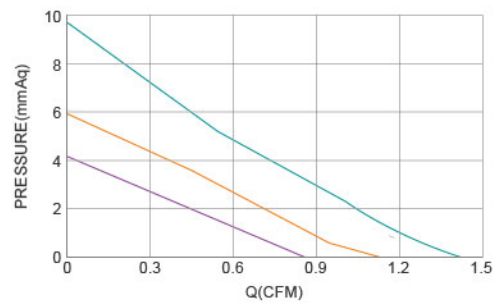


DIMENSIONS DRAWING UNIT : mm



- Frame : Thermoplastic PBT UL94-V0  
外框材質：環保防火PBT
- Impeller : Thermoplastic PBT UL94-V0  
扇葉材質：環保防火PBT
- Bearing : ※Sleeve · ★WRB · ◎Two Ball bearing  
軸承：※含油 · ★WRB · ◎滾珠軸承
- Unit Weight : 8.5g  
風扇單體重量：8.5克

P&Q Curve At Rated Voltage



Model No.	Bearing Type	Voltage (VDC)	Current (A)	Power (W)	Speed (RPM)	Air Flow		Air Pressure		Noise (dBA)
						(CFM)	(m <sup>3</sup> /min)	(mmH <sub>2</sub> O)	(Inch H <sub>2</sub> O)	
TRB3507x05L	◎※★	5(3.0~6.0)	0.08	0.4	5000	0.84	0.024	4.08	0.161	23.9
TRB3507x05M	◎※★	5(3.0~6.0)	0.12	0.6	6000	1.11	0.031	5.92	0.233	27.2
TRB3507x05H	◎※★	5(3.0~6.0)	0.18	0.9	7500	1.39	0.039	9.84	0.387	32.3
TRB3507x12L	◎※★	12(7.5~13.5)	0.03	0.4	5000	0.84	0.024	4.08	0.161	23.9
TRB3507x12M	◎※★	12(7.5~13.5)	0.05	0.6	6000	1.11	0.031	5.92	0.233	27.2
TRB3507x12H	◎※★	12(7.5~13.5)	0.08	0.9	7500	1.39	0.039	9.84	0.387	32.3

◎ Bearing System ※ : Sleeve ★ : WRB Bearing ◎ : Ball

★如果您需要的轉速或電壓或功能不在這份清單上，請與我們業務聯繫 Please contact us, if the SPEC you need is not in the list.

★產品詳細數據及功能請參閱承認書 Please see the approval sheet for more information . ★產品規格變更不另行通知 Specifications are subject to change without notice.