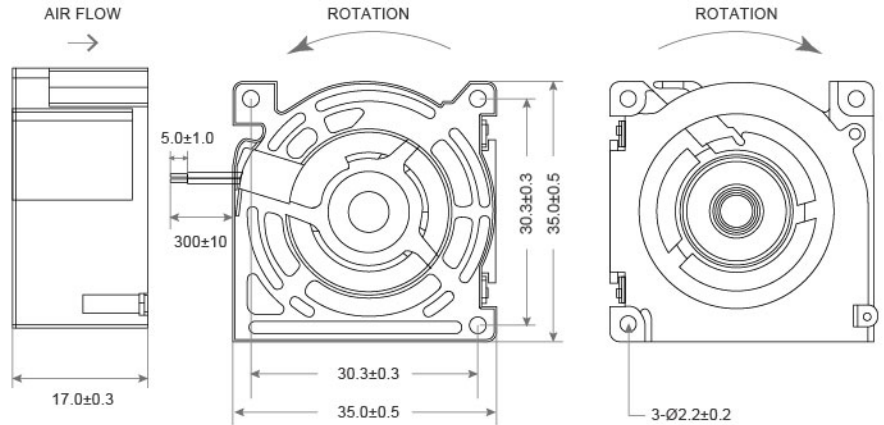


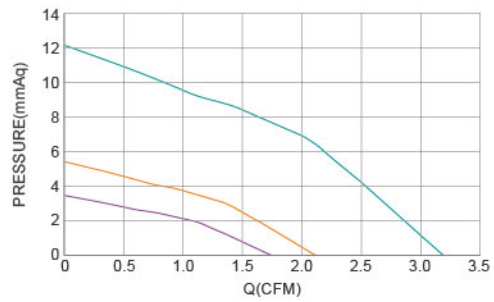
DC Blower Fan TRB3517 SERIES 35X35X17mm

DIMENSIONS DRAWING UNIT : mm



- Frame : Thermoplastic PBT UL94-V0
外框材質：環保防火PBT
- Impeller : Thermoplastic PBT UL94-V0
扇葉材質：環保防火PBT
- Bearing : ★WRB · ◎Two Ball bearing
軸承：★WRB · ◎滾珠軸承
- Unit Weight : 24g
風扇單體重量：24克

P&Q Curve At Rated Voltage



Model No.	Bearing Type	Voltage (VDC)	Current (A)	Power (W)	Speed (RPM)	Air Flow		Air Pressure		Noise (dBA)
						(CFM)	(m ³ /min)	(mmH ₂ O)	(Inch H ₂ O)	
TRB3517x05D	★◎	5(4.0~5.5)	0.15	0.75	6000	1.73	0.05	3.53	0.14	33.5
TRB3517x05L	★◎	5(4.0~5.5)	0.24	1.20	6800	2.16	0.06	5.52	0.22	36.5
TRB3517x05M	★◎	5(4.0~5.5)	0.29	1.45	7400	3.19	0.09	12.10	0.48	37.9

⊗ Bearing System ※ : Sleeve ★ : WRB Bearing ◎ : Ball

★如果您需要的轉速或電壓或功能不在這份清單上，請與我們業務聯繫 Please contact us, if the SPEC you need is not in the list.