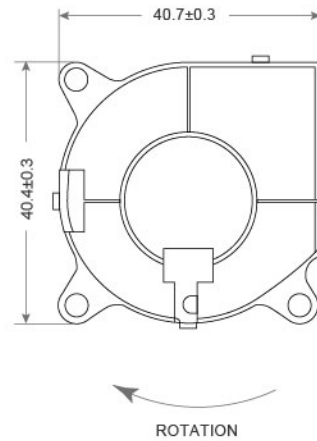
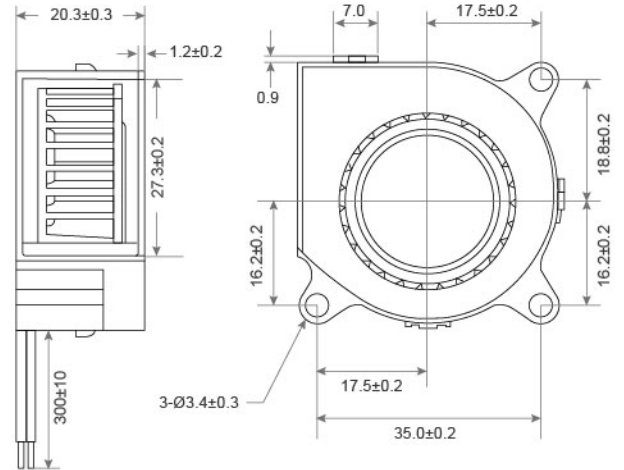


DC Blower Fan TRB4020 SERIES 40X40X20mm

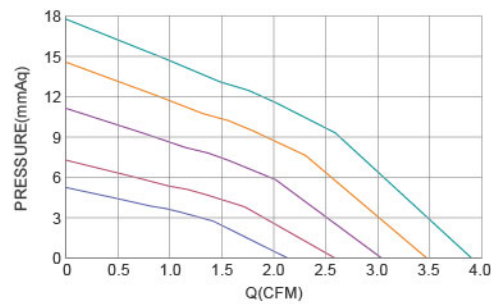


DIMENSIONS DRAWING UNIT : mm



- Frame : Thermoplastic PBT UL94-V0
外框材質：環保防火PBT
- Impeller : Thermoplastic PBT UL94-V0
扇葉材質：環保防火PBT
- Bearing : · ★WRB · ◎Two Ball bearing
軸承：★WRB · ◎滾珠軸承
- Unit Weight : 26g
風扇單體重量：26克

P&Q Curve At Rated Voltage



Model No.	Bearing Type	Voltage (VDC)	Current (A)	Power (W)	Speed (RPM)	Air Flow (CFM)	Air Flow (m ³ /min)	Air Pressure (mmH ₂ O)	Air Pressure (Inch H ₂ O)	Noise (dBA)
TRB4020x05D	★◎	5 (4.0~6.0)	0.10	0.50	4000	1.73	0.05	3.53	0.14	28.6
TRB4020x05L	★◎	5 (4.0~6.0)	0.15	0.75	5000	2.16	0.06	5.52	0.22	30.5
TRB4020x05M	★◎	5 (4.0~6.0)	0.20	1.00	6000	2.59	0.07	7.95	0.31	35.1
TRB4020x05H	★◎	5 (4.0~6.0)	0.28	1.40	7000	3.02	0.09	10.82	0.43	38.6
TRB4020x12D	★◎	12 (7.0~14.0)	0.04	0.48	4000	1.73	0.05	3.53	0.14	28.6
TRB4020x12L	★◎	12 (7.0~14.0)	0.06	0.72	5000	2.16	0.06	5.52	0.22	30.5
TRB4020x12M	★◎	12 (7.0~14.0)	0.08	0.96	6000	2.59	0.07	7.95	0.31	35.1
TRB4020x12H	★◎	12 (7.0~14.0)	0.12	1.44	7000	3.02	0.09	10.82	0.43	38.6
TRB4020x12VH	★◎	12 (7.0~14.0)	0.17	2.04	8000	3.45	0.10	14.14	0.56	42.1
TRB4020x12SH	★◎	12 (7.0~14.0)	0.24	2.88	9000	3.88	0.11	17.89	0.70	45.7
TRB4020x24L	★◎	24 (15.0~27.0)	0.05	1.20	5000	2.16	0.06	5.52	0.22	30.5
TRB4020x24M	★◎	24 (15.0~27.0)	0.06	1.44	6000	2.59	0.07	7.95	0.31	35.1
TRB4020x24H	★◎	24 (15.0~27.0)	0.09	2.16	7000	3.02	0.09	10.82	0.43	38.6
TRB4020x24VH	★◎	24 (15.0~27.0)	0.12	2.88	8000	3.45	0.10	14.14	0.56	42.1
TRB4020x24SH	★◎	24 (15.0~27.0)	0.14	3.36	9000	3.88	0.11	17.89	0.70	45.7

⊗ Bearing System ※ : Sleeve ★ : WRB Bearing ◎ : Ball

★如果您需要的轉速或電壓或功能不在這份清單上，請與我們業務聯繫 Please contact us, if the SPEC you need is not in the list.