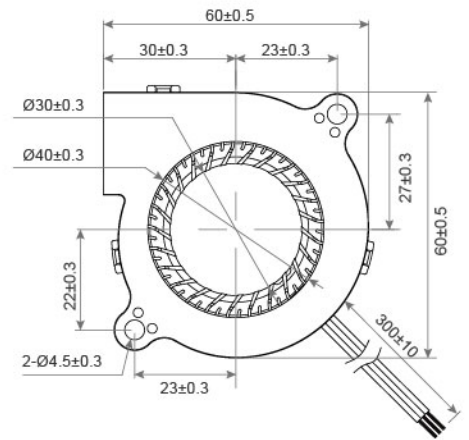
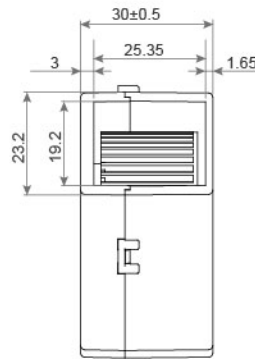


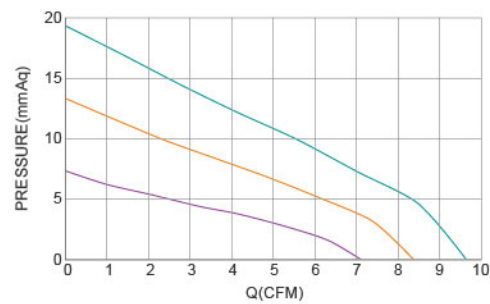
DC Blower Fan TRB6030 G SERIES 60X60X30mm

DIMENSIONS DRAWING UNIT : mm



- Frame : Thermoplastic PBT UL94-V0
外框材質：環保防火PBT
- Impeller : Thermoplastic PBT UL94-V0
扇葉材質：環保防火PBT
- Bearing : ※Sleeve · ★WRB · ◎Two Ball bearing
軸承：※含油 · ★WRB · ◎滾珠軸承
- Unit Weight : 76g
風扇單體重量：76克

P&Q Curve At Rated Voltage



| Model No. | Bearing Type | Voltage (VDC) | Current (A) | Power (W) | Speed (RPM) | Air Flow (CFM) | Air Flow (m ³ /min) | Air Pressure (mmH ₂ O) | Air Pressure (Inch H ₂ O) | Noise (dBA) |
|-------------|--------------|---------------|-------------|-----------|-------------|----------------|--------------------------------|-----------------------------------|--------------------------------------|-------------|
| TRB6030x12L | ★◎ | 12 (6.0~13.8) | 0.24 | 2.88 | 4000 | 7.12 | 0.20 | 7.32 | 0.29 | 40.3 |
| TRB6030x12M | ★◎ | 12 (6.0~13.8) | 0.30 | 3.60 | 5000 | 8.39 | 0.24 | 13.34 | 0.53 | 43.2 |
| TRB6030x12H | ★◎ | 12 (6.0~13.8) | 0.40 | 4.80 | 6000 | 9.65 | 0.27 | 19.35 | 0.76 | 46.2 |

⊗ Bearing System ※ : Sleeve ★ : WRB Bearing ◎ : Ball

★如果您需要的轉速或電壓或功能不在這份清單上，請與我們業務聯繫 Please contact us, if the SPEC you need is not in the list.